

idatalink
maestro

HO²

HONDA INSTALLATION HARNESS
FOR USE WITH MAESTRO RR

HARNAIS D'INSTALLATION HONDA
À UTILISER AVEC MAESTRO RR

ARNÉS DE INSTALACIÓN HONDA
PARA USO CON MAESTRO RR

ACCESSOIRES
connec
ACCESSORIES

www.idatalinkmaestro.com

iDATALINK

maestro HO²

Aftermarket car radio
Autoradio de rechange
Autoestéreo de recambio

iDatalink
Maestro RR



Compatible Honda vehicle
Véhicule compatible Honda
Vehículo Honda compatible

www.idatalinkmaestro.com



Does it work with my car?
Fonctionne-t-il avec mon auto?
¿Funciona en mi auto?





HOW TO USE THIS INSTALL GUIDE

- 1** Open the Bookmarks menu and find your vehicle OR scroll down until you find the install guide for your vehicle.
- 2** Print only the pages for your vehicle using the advanced options in the Print menu.
- 3** Install your Maestro RR according to the guide for your vehicle.

WARNING

Pressing the printer icon or “quick printing” this document will print all of the guides in this compilation.



INSTALL GUIDE HONDA ACCORD CROSSTOUR WITH AMP NOT RETAINING OEM BLUETOOTH 2010-2012

RETAINS FACTORY AMPLIFIER, STEERING WHEEL CONTROLS, AND MORE!



PRODUCTS REQUIRED

iDatalink Maestro RR Radio Replacement Interface
iDatalink Maestro HO2 Installation Harness

PROGRAMMED FIRMWARE

ADS-RR(SR)-HON02-DS

OPTIONAL ACCESSORIES



Click here for:

[Radar Integration Installation Guide](#)

[Radar Integration Owner's Guide for Kenwood and JVC Radios](#)

WELCOME

Congratulations on the purchase of your iDatalink Maestro RR Radio replacement solution. You are now a few simple steps away from enjoying your new car radio with enhanced features.

Before starting your installation, please ensure that your iDatalink Maestro module is programmed with the correct firmware for your vehicle and that you carefully review the install guide.

Please note that Maestro RR will only retain functionalities that were originally available in the vehicle.

NEED HELP?

 **1 866 427-2999**

 **support@idatalink.com**


 **maestro.idatalink.com/support
www.12voltdata.com/forum**

TABLE OF CONTENTS

Installation Instructions	3
Wiring Diagram	4
Radio Wire Reference Chart	5
Vehicle Wire Reference Chart	6

INSTALLATION INSTRUCTIONS

STEP 1

- Unbox the aftermarket radio and locate its main harness.
- Connect the wires from aftermarket radio main harness to the HO2 T-harness and match the wire functions.
- Remove the factory radio.

STEP 2

- Assemble the HO2 T-harness and connect it to the factory radio harness.
- If the vehicle is equipped with a backup camera in the MID, see the vehicle wire reference chart for wiring information.

STEP 3

- Connect the Orange/Red wire at the Bluetooth module. See the vehicle wire reference chart for wire color and location.

STEP 4

- Plug the OBDII connector into the OBDII of the vehicle, under driver dash.

STEP 5

- Plug the aftermarket radio harnesses into the aftermarket radio.
- Connect the speakers and sub RCA cables.
- Plug the AUX cable to the aftermarket radio (if the vehicle is equipped with an OEM aux port).
- Plug the Data cable to the data port of the aftermarket radio.
- Insert the Audio cable into the iDataLink 3.5 mm audio jack of the aftermarket radio.

Note : When using a Pioneer or Alpine radio, the audio cable will plug into the AUX port.

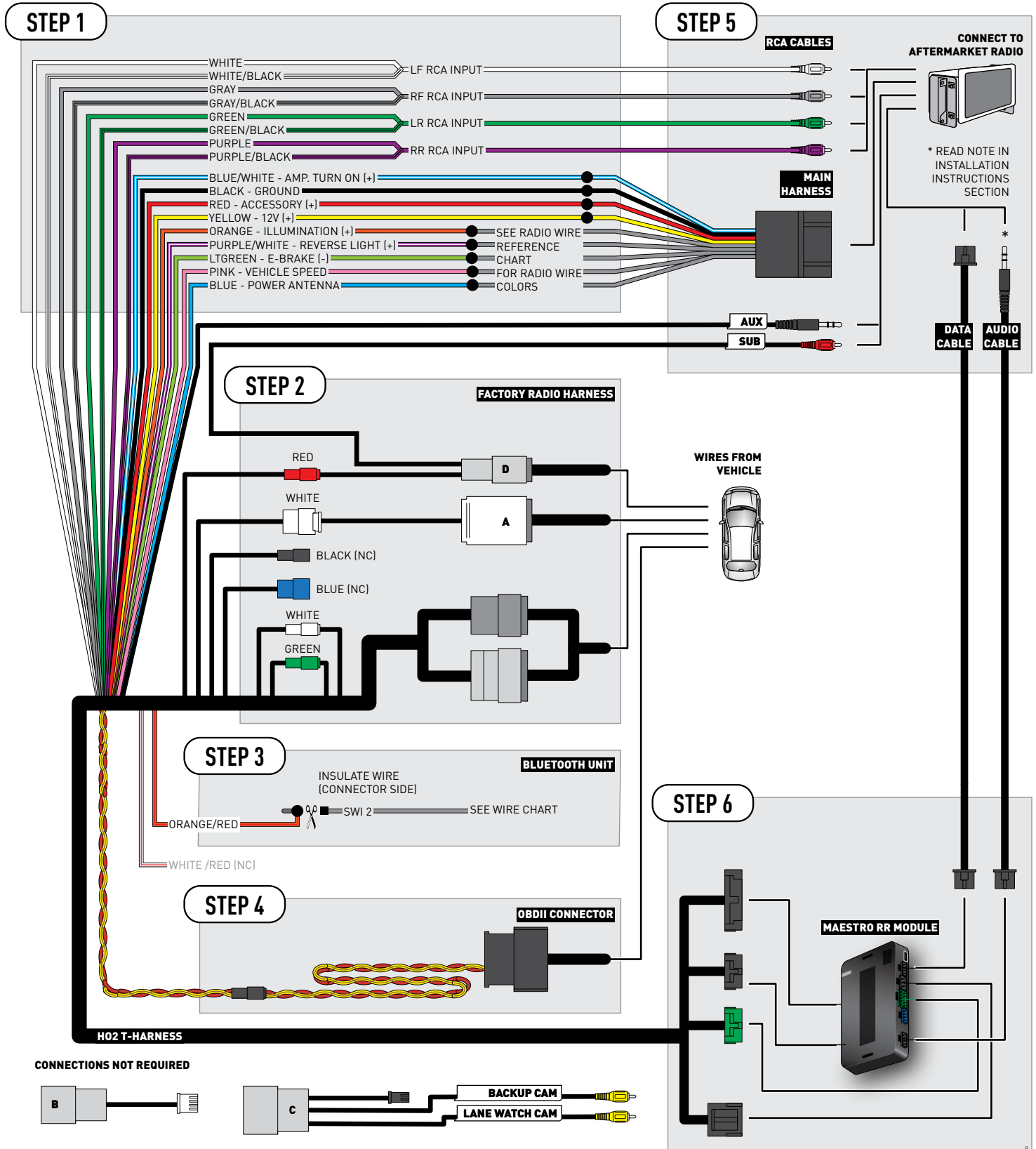
STEP 6

- Connect all the harnesses to the Maestro RR module then test your installation.

TROUBLESHOOTING TIPS:

- To reset the module back its factory settings, turn the key to the OFF position then disconnect all connectors from the module. Press and hold the module's programming button and connect all the connectors back to the module. Wait, the module's LED will flash RED rapidly (this may take up to 10 seconds). Release the programming button. Wait, the LED will turn solid GREEN for 2 seconds.
- For technical assistance call 1-866-427-2999 or e-mail "support@idatalink.com". Visit us at "maestro.idatalink.com/support" and "www.12voltdata.com/forum/"

WIRING DIAGRAM



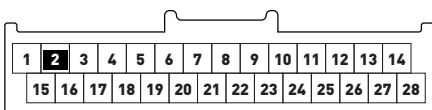
RADIO WIRE REFERENCE CHART

Wire Description	Polarity	Wire Color on Maestro T-Harness	Wire Color on Alpine cable	Wire Color on Kenwood cable	Wire Color on Pioneer cable	Wire Color on Sony cable
Illumination	(+)	Orange	N/A	Orange/White	Orange/White	Orange/White
Reverse Light	(+)	Purple/White	Orange/White	Purple/White	Purple/White	Purple/White
E-Brake	(-)	Lt Green	Yellow/Blue	Lt Green	Lt Green	Lt Green
VSS (vehicle speed sensor)	(DATA)	Pink	Green/White	N/A	Pink	N/A
Power Antenna	(+)	Blue	Blue	Blue	N/A	N/A

VEHICLE WIRE REFERENCE CHART

Wire Description	Connector Name	Connector Color	Connector Type	Position	Wire Color	Polarity	Wire Location
SWI 2	~	~	32 pin	02	Blue	(DATA)	Bluetooth unit, left end of dash

Bluetooth connector





INSTALL GUIDE HONDA ACCORD CROSSTOUR WITH AMP RETAINING OEM BLUETOOTH 2010-2012

RETAINS FACTORY AMPLIFIER, STEERING WHEEL CONTROLS, AND MORE!



PRODUCTS REQUIRED

iDataLink Maestro RR Radio Replacement Interface
iDataLink Maestro HO2 Installation Harness

PROGRAMMED FIRMWARE

ADS-RR(SR)-HON02-DS

OPTIONAL ACCESSORIES



Click here for:

[Radar Integration Installation Guide](#)

[Radar Integration Owner's Guide for Kenwood and JVC Radios](#)

WELCOME

Congratulations on the purchase of your iDatalink Maestro RR Radio replacement solution. You are now a few simple steps away from enjoying your new car radio with enhanced features.

Before starting your installation, please ensure that your iDatalink Maestro module is programmed with the correct firmware for your vehicle and that you carefully review the install guide.

Please note that Maestro RR will only retain functionalities that were originally available in the vehicle.

NEED HELP?

 **1 866 427-2999**

 support@idatalink.com


 maestro.idatalink.com/support
www.12voltdata.com/forum

TABLE OF CONTENTS

Installation Instructions	3
Wiring Diagram	4
Radio Wire Reference Chart	5
Vehicle Wire Reference Chart	6

INSTALLATION INSTRUCTIONS

STEP 1

- Unbox the aftermarket radio and locate its main harness.
- Connect the wires from aftermarket radio main harness to the HO2 T-harness and match the wire functions.
- Remove the factory radio.

STEP 2

- Assemble the HO2 T-harness and connect it to the factory radio harness.
- If the vehicle is equipped with a backup camera in the MID, see the vehicle wire reference chart for wiring information.

STEP 3

- Plug the OBDII connector into the OBDII of the vehicle, under driver dash.

STEP 4

- Plug the aftermarket radio harnesses into the aftermarket radio.
- Connect the speakers and sub RCA cables.
- Plug the AUX cable to the aftermarket radio (if the vehicle is equipped with an OEM aux port).
- Plug the Data cable to the data port of the aftermarket radio.
- Insert the Audio cable into the iDataLink 3.5 mm audio jack of the aftermarket radio.

Note : When using a Pioneer or Alpine radio, the audio cable will plug into the AUX port.

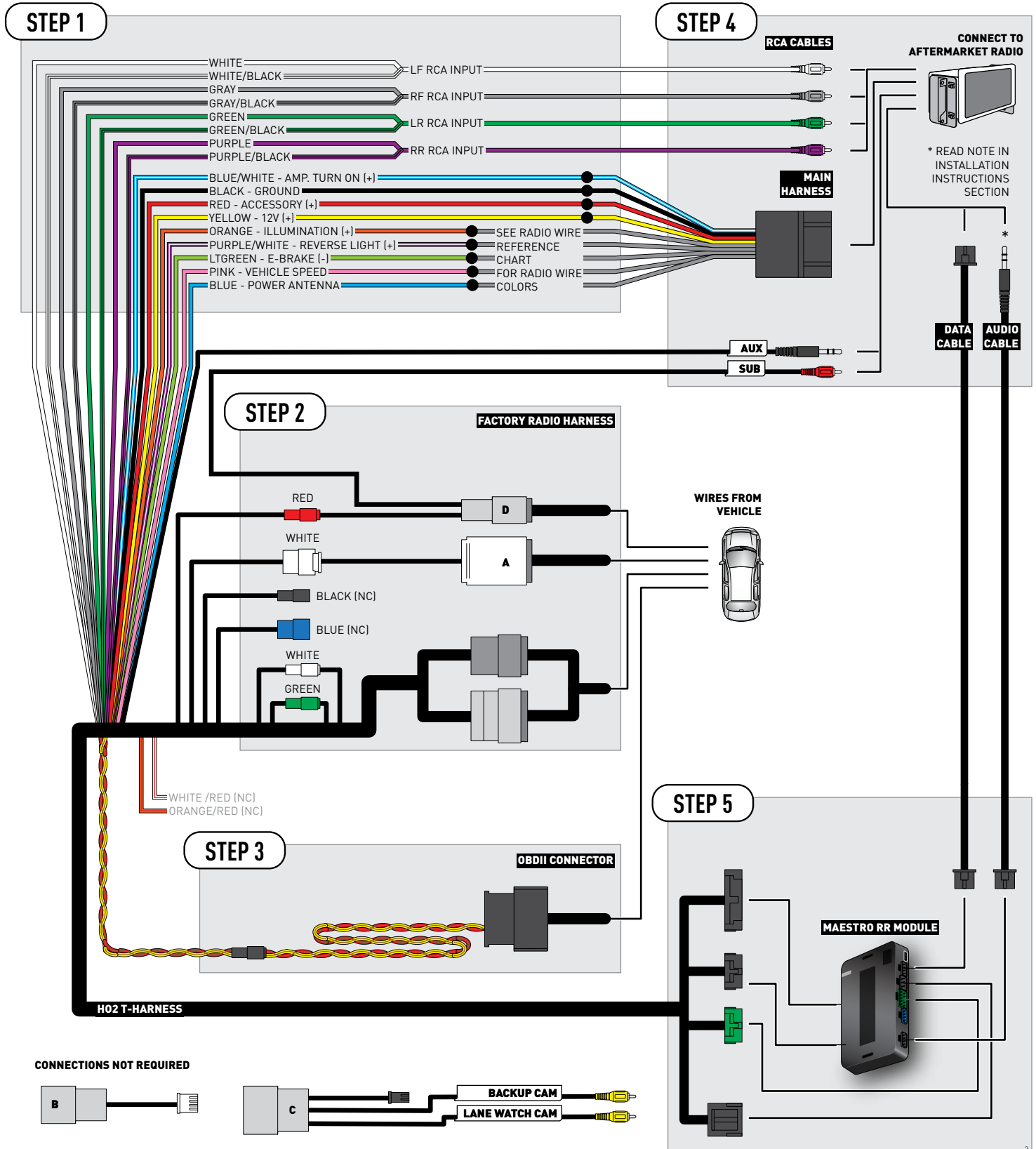
STEP 5

- Connect all the harnesses to the Maestro RR module then test your installation.

TROUBLESHOOTING TIPS:

- To reset the module back its factory settings, turn the key to the OFF position then disconnect all connectors from the module. Press and hold the module's programming button and connect all the connectors back to the module. Wait, the module's LED will flash RED rapidly (this may take up to 10 seconds). Release the programming button. Wait, the LED will turn solid GREEN for 2 seconds.
- For technical assistance call 1-866-427-2999 or e-mail "support@idatalink.com". Visit us at "maestro.idatalink.com/support" and "www.12voltdata.com/forum/"

WIRING DIAGRAM



RADIO WIRE REFERENCE CHART

Wire Description	Polarity	Wire Color on Maestro T-Harness	Wire Color on Alpine cable	Wire Color on Kenwood cable	Wire Color on Pioneer cable	Wire Color on Sony cable
Illumination	(+)	Orange	N/A	Orange/White	Orange/White	Orange/White
Reverse Light	(+)	Purple/White	Orange/White	Purple/White	Purple/White	Purple/White
E-Brake	(-)	Lt Green	Yellow/Blue	Lt Green	Lt Green	Lt Green
VSS (vehicle speed sensor)	(DATA)	Pink	Green/White	N/A	Pink	N/A
Power Antenna	(+)	Blue	Blue	Blue	N/A	N/A

VEHICLE WIRE REFERENCE CHART

Wire Description	Connector Name	Connector Color	Connector Type	Position	Wire Color	Polarity	Wire Location
Video +	n/a	n/a	n/a	n/a	n/a	n/a	n/a
Video -	n/a	n/a	n/a	n/a	n/a	n/a	n/a



INSTALL GUIDE

HONDA ACCORD CROSSTOUR

WITHOUT AMP NOT RETAINING OEM BLUETOOTH

2010-2012

RETAINS FACTORY AMPLIFIER, STEERING WHEEL CONTROLS, AND MORE!



PRODUCTS REQUIRED

iDataLink Maestro RR Radio Replacement Interface
iDataLink Maestro HO2 Installation Harness

PROGRAMMED FIRMWARE

ADS-RR(SR)-HON02-DS

OPTIONAL ACCESSORIES



Click here for:

[Radar Integration Installation Guide](#)

[Radar Integration Owner's Guide for Kenwood and JVC Radios](#)

WELCOME

Congratulations on the purchase of your iDatalink Maestro RR Radio replacement solution. You are now a few simple steps away from enjoying your new car radio with enhanced features.

Before starting your installation, please ensure that your iDatalink Maestro module is programmed with the correct firmware for your vehicle and that you carefully review the install guide.

Please note that Maestro RR will only retain functionalities that were originally available in the vehicle.

NEED HELP?

 **1 866 427-2999**

 **support@idatalink.com**


 **maestro.idatalink.com/support
www.12voltdata.com/forum**

TABLE OF CONTENTS

Installation Instructions	3
Wiring Diagram	4
Radio Wire Reference Chart	5
Vehicle Wire Reference Chart	6

INSTALLATION INSTRUCTIONS

STEP 1

- Unbox the aftermarket radio and locate its main harness.
- Cut the WHITE, GRAY, GREEN and PURPLE RCA tips.
- Connect the wires from aftermarket radio main harness to the HO2 T-harness and match the wire functions.
- Remove the factory radio.

STEP 2

- Assemble the HO2 T-harness and connect it to the factory radio harness.
- If the vehicle is equipped with a backup camera in the MID, see the vehicle wire reference chart for wiring information.

STEP 3

- Connect the Orange/Red wire at the Bluetooth module. See the vehicle wire reference chart for wire color and location.

STEP 4

- Plug the OBDII connector into the OBDII of the vehicle, under driver dash.

STEP 5

- Plug the aftermarket radio harnesses into the aftermarket radio.
- Plug the AUX cable to the aftermarket radio (if the vehicle is equipped with an OEM aux port).
- Plug the Data cable to the data port of the aftermarket radio.
- Insert the Audio cable into the iDatalink 3.5 mm audio jack of the aftermarket radio.

Note : When using a Pioneer or Alpine radio, the audio cable will plug into the AUX port.

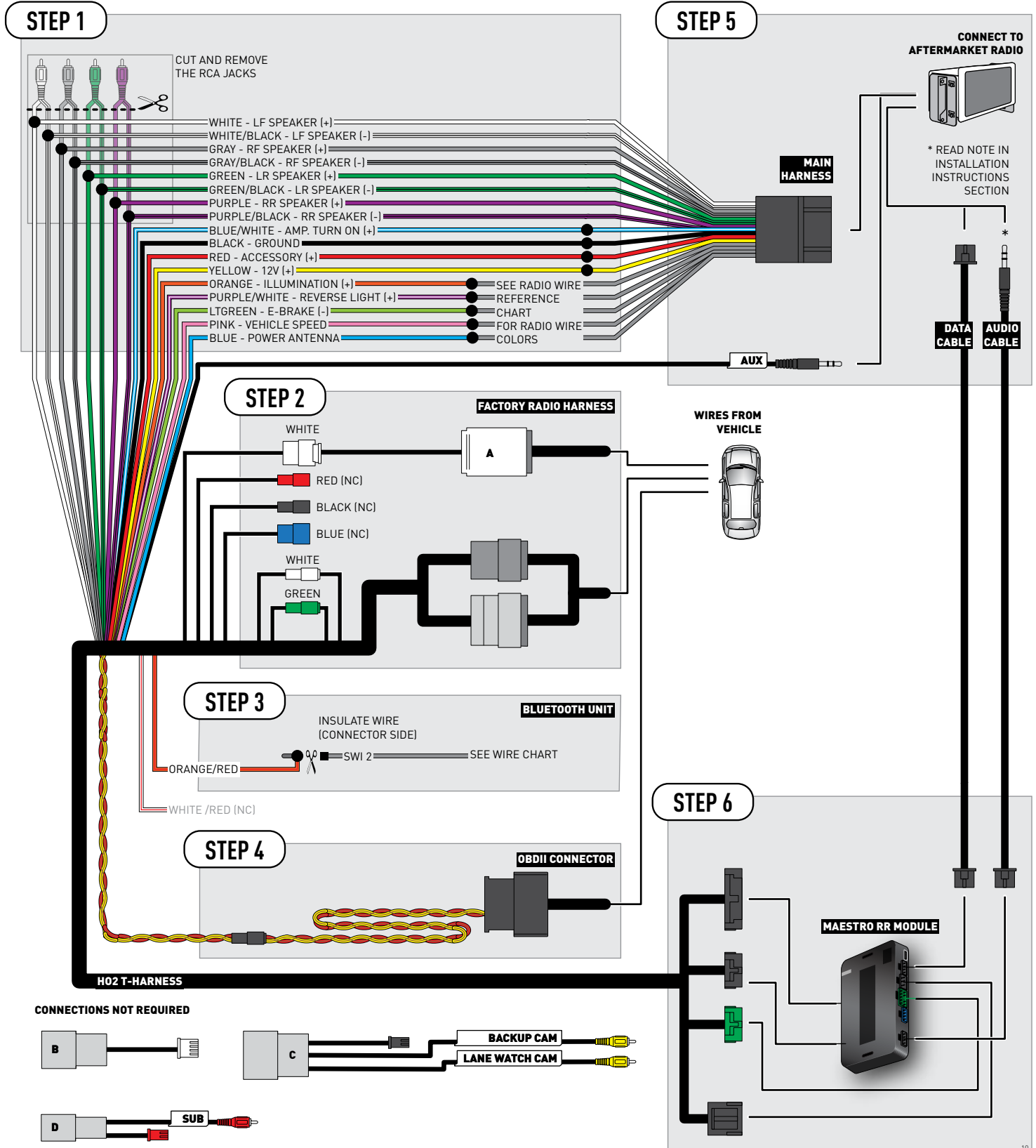
STEP 6

- Connect all the harnesses to the Maestro RR module then test your installation.

TROUBLESHOOTING TIPS:

- To reset the module back its factory settings, turn the key to the OFF position then disconnect all connectors from the module. Press and hold the module's programming button and connect all the connectors back to the module. Wait, the module's LED will flash RED rapidly (this may take up to 10 seconds). Release the programming button. Wait, the LED will turn solid GREEN for 2 seconds.
- For technical assistance call 1-866-427-2999 or e-mail "support@idatalink.com". Visit us at "maestro.idatalink.com/support" and "www.12voltdata.com/forum/"

WIRING DIAGRAM



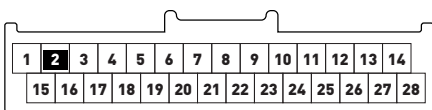
RADIO WIRE REFERENCE CHART

Wire Description	Polarity	Wire Color on Maestro T-Harness	Wire Color on Alpine cable	Wire Color on Kenwood cable	Wire Color on Pioneer cable	Wire Color on Sony cable
Illumination	(+)	Orange	N/A	Orange/White	Orange/White	Orange/White
Reverse Light	(+)	Purple/White	Orange/White	Purple/White	Purple/White	Purple/White
E-Brake	(-)	Lt Green	Yellow/Blue	Lt Green	Lt Green	Lt Green
VSS (vehicle speed sensor)	(DATA)	Pink	Green/White	N/A	Pink	N/A
Power Antenna	(+)	Blue	Blue	Blue	N/A	N/A

VEHICLE WIRE REFERENCE CHART

Wire Description	Connector Name	Connector Color	Connector Type	Position	Wire Color	Polarity	Wire Location
SWI 2	~	~	32 pin	02	Blue	(DATA)	Bluetooth unit, left end of dash

Bluetooth connector





INSTALL GUIDE

HONDA ACCORD CROSSTOUR

WITHOUT AMP RETAINING OEM BLUETOOTH

2010-2012

RETAINS FACTORY AMPLIFIER, STEERING WHEEL CONTROLS, AND MORE!



PRODUCTS REQUIRED

iDatalink Maestro RR Radio Replacement Interface
iDatalink Maestro HO2 Installation Harness

PROGRAMMED FIRMWARE

ADS-RR(SR)-HON02-DS

OPTIONAL ACCESSORIES



Click here for:

[Radar Integration Installation Guide](#)

[Radar Integration Owner's Guide for Kenwood and JVC Radios](#)

WELCOME

Congratulations on the purchase of your iDatalink Maestro RR Radio replacement solution. You are now a few simple steps away from enjoying your new car radio with enhanced features.

Before starting your installation, please ensure that your iDatalink Maestro module is programmed with the correct firmware for your vehicle and that you carefully review the install guide.

Please note that Maestro RR will only retain functionalities that were originally available in the vehicle.

NEED HELP?

 **1 866 427-2999**

 **support@idatalink.com**

 **maestro.idatalink.com/support**
www.12voltdata.com/forum

TABLE OF CONTENTS

Installation Instructions	3
Wiring Diagram	4
Radio Wire Reference Chart	5
Vehicle Wire Reference Chart	6

INSTALLATION INSTRUCTIONS

STEP 1

- Unbox the aftermarket radio and locate its main harness.
- Cut the WHITE, GRAY, GREEN and PURPLE RCA tips.
- Connect the wires from aftermarket radio main harness to the HO2 T-harness and match the wire functions.
- Remove the factory radio.

STEP 2

- Assemble the HO2 T-harness and connect it to the factory radio harness.
- If the vehicle is equipped with a backup camera in the MID, see the vehicle wire reference chart for wiring information.

STEP 3

- Plug the OBDII connector into the OBDII of the vehicle, under driver dash.

STEP 4

- Plug the aftermarket radio harnesses into the aftermarket radio.
- Plug the AUX cable to the aftermarket radio (if the vehicle is equipped with an OEM aux port).
- Plug the Data cable to the data port of the aftermarket radio.
- Insert the Audio cable into the iDataLink 3.5 mm audio jack of the aftermarket radio.

Note : When using a Pioneer or Alpine radio, the audio cable will plug into the AUX port.

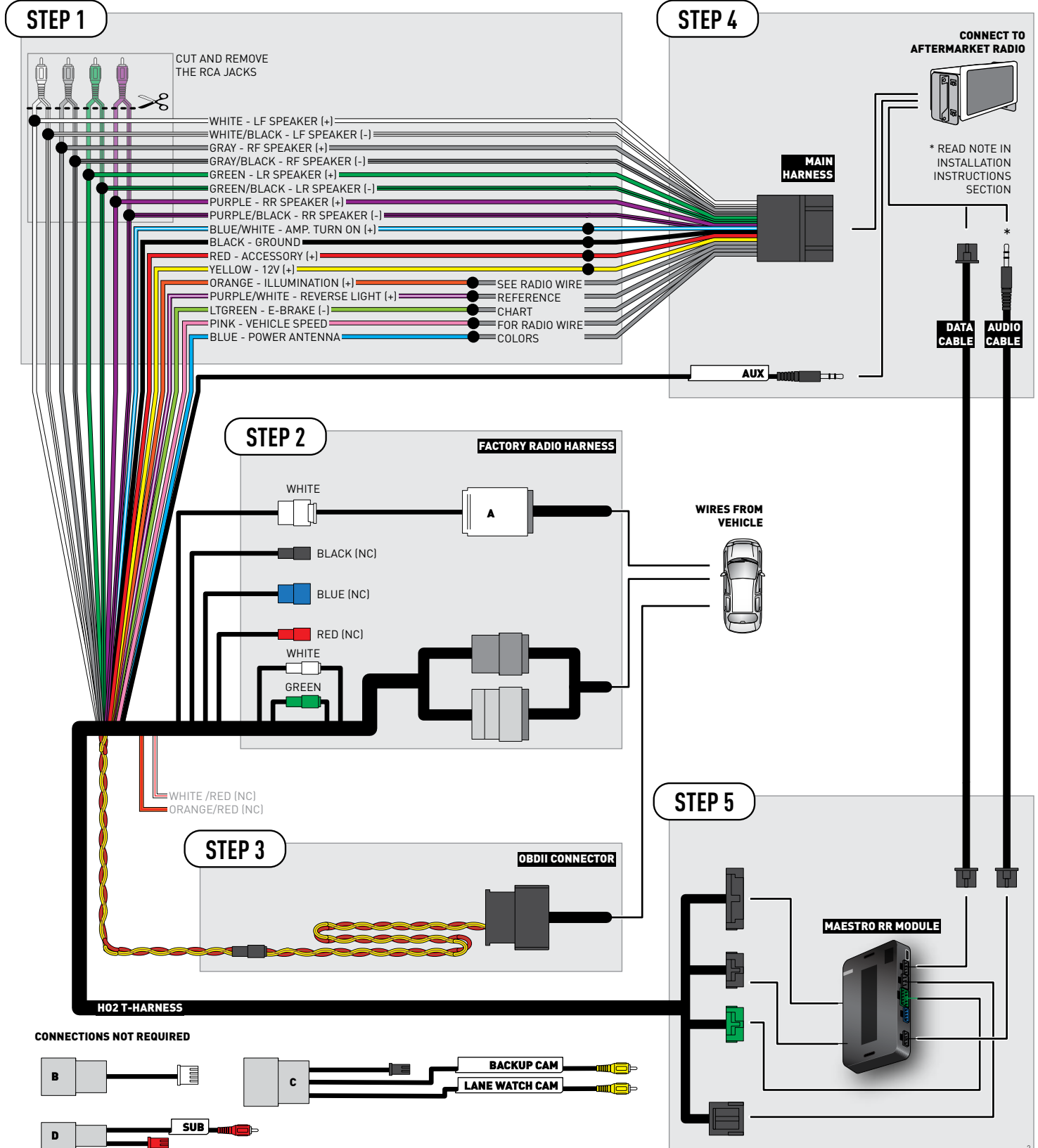
STEP 5

- Connect all the harnesses to the Maestro RR module then test your installation.

TROUBLESHOOTING TIPS:

- To reset the module back its factory settings, turn the key to the OFF position then disconnect all connectors from the module. Press and hold the module's programming button and connect all the connectors back to the module. Wait, the module's LED will flash RED rapidly (this may take up to 10 seconds). Release the programming button. Wait, the LED will turn solid GREEN for 2 seconds.
- For technical assistance call 1-866-427-2999 or e-mail "support@idatalink.com". Visit us at "maestro.idatalink.com/support" and "www.12voltdata.com/forum/"

WIRING DIAGRAM



RADIO WIRE REFERENCE CHART

Wire Description	Polarity	Wire Color on Maestro T-Harness	Wire Color on Alpine cable	Wire Color on Kenwood cable	Wire Color on Pioneer cable	Wire Color on Sony cable
Illumination	(+)	Orange	N/A	Orange/White	Orange/White	Orange/White
Reverse Light	(+)	Purple/White	Orange/White	Purple/White	Purple/White	Purple/White
E-Brake	(-)	Lt Green	Yellow/Blue	Lt Green	Lt Green	Lt Green
VSS (vehicle speed sensor)	(DATA)	Pink	Green/White	N/A	Pink	N/A
Power Antenna	(+)	Blue	Blue	Blue	N/A	N/A

VEHICLE WIRE REFERENCE CHART

Wire Description	Connector Name	Connector Color	Connector Type	Position	Wire Color	Polarity	Wire Location
Video +	n/a	n/a	n/a	n/a	n/a	n/a	n/a
Video -	n/a	n/a	n/a	n/a	n/a	n/a	n/a



INSTALL GUIDE HONDA ACCORD WITH AMP NOT RETAINING OEM BLUETOOTH 2008-2012

RETAINS FACTORY AMPLIFIER, STEERING WHEEL CONTROLS, AND MORE!



PRODUCTS REQUIRED

iDatalink Maestro RR Radio Replacement Interface
iDatalink Maestro HO2 Installation Harness

PROGRAMMED FIRMWARE

ADS-RR(SR)-HON02-DS

OPTIONAL ACCESSORIES



Click here for:

[Radar Integration Installation Guide](#)

[Radar Integration Owner's Guide for Kenwood and JVC Radios](#)

WELCOME

Congratulations on the purchase of your iDatalink Maestro RR Radio replacement solution. You are now a few simple steps away from enjoying your new car radio with enhanced features.

Before starting your installation, please ensure that your iDatalink Maestro module is programmed with the correct firmware for your vehicle and that you carefully review the install guide.

Please note that Maestro RR will only retain functionalities that were originally available in the vehicle.

NEED HELP?

 **1 866 427-2999**

 support@idatalink.com

 maestro.idatalink.com/support
www.12voltdata.com/forum

TABLE OF CONTENTS

Installation Instructions	3
Wiring Diagram	4
Radio Wire Reference Chart	5
Vehicle Wire Reference Chart	6

INSTALLATION INSTRUCTIONS

STEP 1

- Unbox the aftermarket radio and locate its main harness.
- Connect the wires from aftermarket radio main harness to the HO2 T-harness and match the wire functions.
- Remove the factory radio.

STEP 2

- Assemble the HO2 T-harness and connect it to the factory radio harness.
- If the vehicle is equipped with a backup camera in the MID, see the vehicle wire reference chart for wiring information.

STEP 3

- Connect the Orange/Red wire at the Bluetooth module. See the vehicle wire reference chart for wire color and location.

STEP 4

- Plug the OBDII connector into the OBDII of the vehicle, under driver dash.

STEP 5

- Plug the aftermarket radio harnesses into the aftermarket radio.
- Connect the speakers and sub RCA cables.
- Plug the AUX cable to the aftermarket radio (if the vehicle is equipped with an OEM aux port).
- Plug the Data cable to the data port of the aftermarket radio.
- Insert the Audio cable into the iDataLink 3.5 mm audio jack of the aftermarket radio.

Note : When using a Pioneer or Alpine radio, the audio cable will plug into the AUX port.

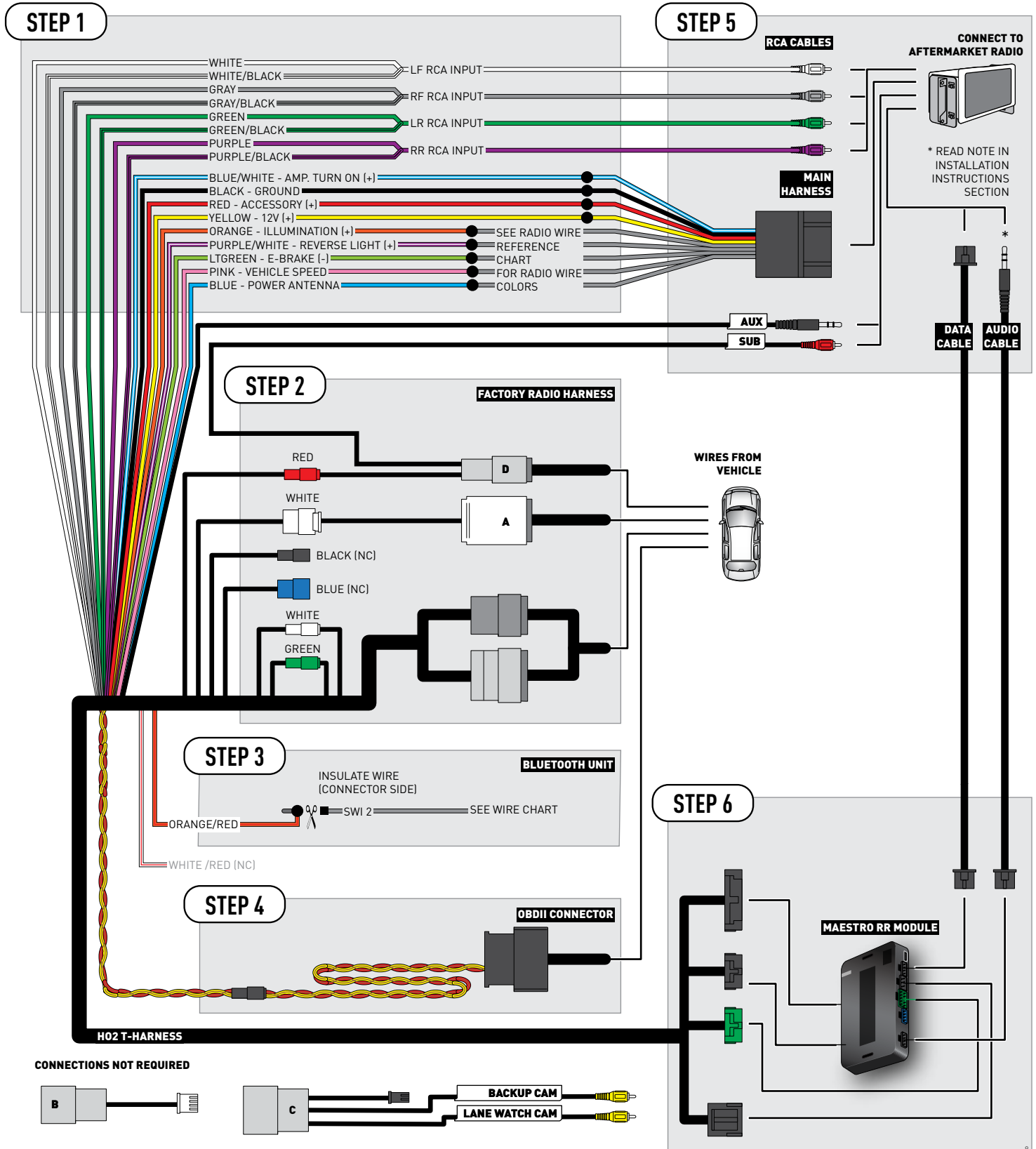
STEP 6

- Connect all the harnesses to the Maestro RR module then test your installation.

TROUBLESHOOTING TIPS:

- To reset the module back its factory settings, turn the key to the OFF position then disconnect all connectors from the module. Press and hold the module's programming button and connect all the connectors back to the module. Wait, the module's LED will flash RED rapidly (this may take up to 10 seconds). Release the programming button. Wait, the LED will turn solid GREEN for 2 seconds.
- For technical assistance call 1-866-427-2999 or e-mail "support@idatalink.com". Visit us at "maestro.idatalink.com/support" and "www.12voltdata.com/forum/"

WIRING DIAGRAM



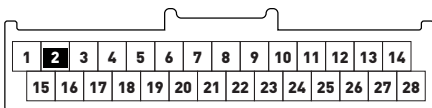
RADIO WIRE REFERENCE CHART

Wire Description	Polarity	Wire Color on Maestro T-Harness	Wire Color on Alpine cable	Wire Color on Kenwood cable	Wire Color on Pioneer cable	Wire Color on Sony cable
Illumination	(+)	Orange	N/A	Orange/White	Orange/White	Orange/White
Reverse Light	(+)	Purple/White	Orange/White	Purple/White	Purple/White	Purple/White
E-Brake	(-)	Lt Green	Yellow/Blue	Lt Green	Lt Green	Lt Green
VSS (vehicle speed sensor)	(DATA)	Pink	Green/White	N/A	Pink	N/A
Power Antenna	(+)	Blue	Blue	Blue	N/A	N/A

VEHICLE WIRE REFERENCE CHART

Wire Description	Connector Name	Connector Color	Connector Type	Position	Wire Color	Polarity	Wire Location
SWI 2	~	~	32 pin	02	Blue	(DATA)	Bluetooth unit, left end of dash

Bluetooth connector





INSTALL GUIDE HONDA ACCORD WITH AMP RETAINING OEM BLUETOOTH 2008-2012

RETAINS FACTORY AMPLIFIER, STEERING WHEEL CONTROLS, AND MORE!



PRODUCTS REQUIRED

iDataLink Maestro RR Radio Replacement Interface
iDataLink Maestro HO2 Installation Harness

PROGRAMMED FIRMWARE

ADS-RR(SR)-HON02-DS

OPTIONAL ACCESSORIES



Click here for:

[Radar Integration Installation Guide](#)

[Radar Integration Owner's Guide for Kenwood and JVC Radios](#)

WELCOME

Congratulations on the purchase of your iDatalink Maestro RR Radio replacement solution. You are now a few simple steps away from enjoying your new car radio with enhanced features.

Before starting your installation, please ensure that your iDatalink Maestro module is programmed with the correct firmware for your vehicle and that you carefully review the install guide.

Please note that Maestro RR will only retain functionalities that were originally available in the vehicle.

NEED HELP?

 **1 866 427-2999**

 support@idatalink.com


 maestro.idatalink.com/support
www.12voltdata.com/forum

TABLE OF CONTENTS

Installation Instructions	3
Wiring Diagram	4
Radio Wire Reference Chart	5
Vehicle Wire Reference Chart	6

INSTALLATION INSTRUCTIONS

STEP 1

- Unbox the aftermarket radio and locate its main harness.
- Connect the wires from aftermarket radio main harness to the HO2 T-harness and match the wire functions.
- Remove the factory radio.

STEP 2

- Assemble the HO2 T-harness and connect it to the factory radio harness.
- If the vehicle is equipped with a backup camera in the MID, see the vehicle wire reference chart for wiring information.

STEP 3

- Plug the OBDII connector into the OBDII of the vehicle, under driver dash.

STEP 4

- Plug the aftermarket radio harnesses into the aftermarket radio.
- Connect the speakers and sub RCA cables.
- Plug the AUX cable to the aftermarket radio (if the vehicle is equipped with an OEM aux port).
- Plug the Data cable to the data port of the aftermarket radio.
- Insert the Audio cable into the iDataLink 3.5 mm audio jack of the aftermarket radio.

Note : When using a Pioneer or Alpine radio, the audio cable will plug into the AUX port.

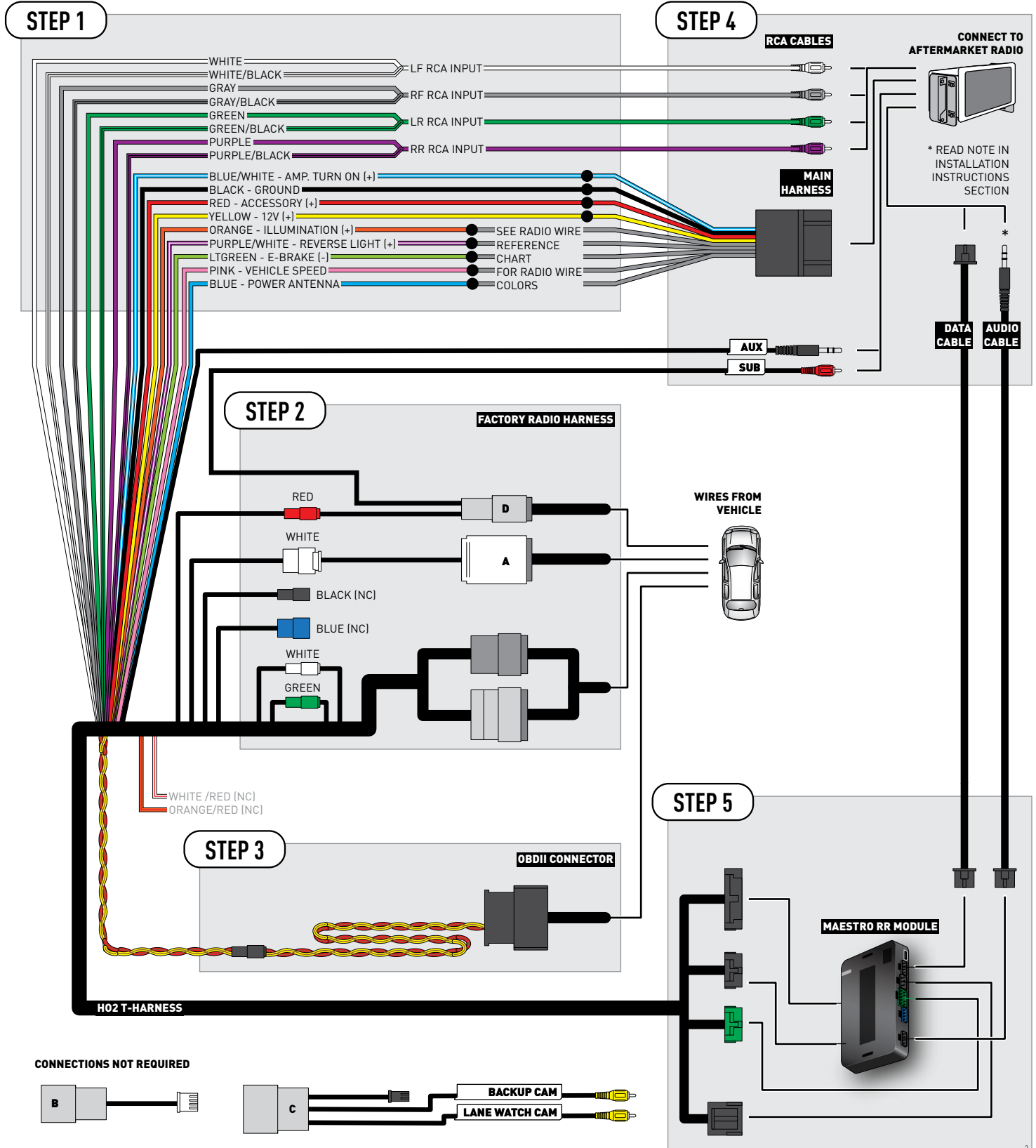
STEP 5

- Connect all the harnesses to the Maestro RR module then test your installation.

TROUBLESHOOTING TIPS:

- To reset the module back its factory settings, turn the key to the OFF position then disconnect all connectors from the module. Press and hold the module's programming button and connect all the connectors back to the module. Wait, the module's LED will flash RED rapidly (this may take up to 10 seconds). Release the programming button. Wait, the LED will turn solid GREEN for 2 seconds.
- For technical assistance call 1-866-427-2999 or e-mail "support@idatalink.com". Visit us at "maestro.idatalink.com/support" and "www.12voltdata.com/forum/"

WIRING DIAGRAM



RADIO WIRE REFERENCE CHART

Wire Description	Polarity	Wire Color on Maestro T-Harness	Wire Color on Alpine cable	Wire Color on Kenwood cable	Wire Color on Pioneer cable	Wire Color on Sony cable
Illumination	(+)	Orange	N/A	Orange/White	Orange/White	Orange/White
Reverse Light	(+)	Purple/White	Orange/White	Purple/White	Purple/White	Purple/White
E-Brake	(-)	Lt Green	Yellow/Blue	Lt Green	Lt Green	Lt Green
VSS (vehicle speed sensor)	(DATA)	Pink	Green/White	N/A	Pink	N/A
Power Antenna	(+)	Blue	Blue	Blue	N/A	N/A

VEHICLE WIRE REFERENCE CHART

Wire Description	Connector Name	Connector Color	Connector Type	Position	Wire Color	Polarity	Wire Location
Video +	n/a	n/a	n/a	n/a	n/a	n/a	n/a
Video -	n/a	n/a	n/a	n/a	n/a	n/a	n/a



INSTALL GUIDE HONDA ACCORD WITHOUT AMP NOT RETAINING OEM BLUETOOTH 2008-2012

RETAINS FACTORY AMPLIFIER, STEERING WHEEL CONTROLS, AND MORE!



PRODUCTS REQUIRED

iDatalink Maestro RR Radio Replacement Interface
iDatalink Maestro HO2 Installation Harness

PROGRAMMED FIRMWARE

ADS-RR(SR)-HON02-DS

OPTIONAL ACCESSORIES



Click here for:

[Radar Integration Installation Guide](#)

[Radar Integration Owner's Guide for Kenwood and JVC Radios](#)

WELCOME

Congratulations on the purchase of your iDatalink Maestro RR Radio replacement solution. You are now a few simple steps away from enjoying your new car radio with enhanced features.

Before starting your installation, please ensure that your iDatalink Maestro module is programmed with the correct firmware for your vehicle and that you carefully review the install guide.

Please note that Maestro RR will only retain functionalities that were originally available in the vehicle.

NEED HELP?

 **1 866 427-2999**

 support@idatalink.com

 maestro.idatalink.com/support
www.12voltdata.com/forum

TABLE OF CONTENTS

Installation Instructions	3
Wiring Diagram	4
Radio Wire Reference Chart	5
Vehicle Wire Reference Chart	6

INSTALLATION INSTRUCTIONS

STEP 1

- Unbox the aftermarket radio and locate its main harness.
- Cut the WHITE, GRAY, GREEN and PURPLE RCA tips.
- Connect the wires from aftermarket radio main harness to the HO2 T-harness and match the wire functions.
- Remove the factory radio.

STEP 2

- Assemble the HO2 T-harness and connect it to the factory radio harness.
- If the vehicle is equipped with a backup camera in the MID, see the vehicle wire reference chart for wiring information.

STEP 3

- Connect the Orange/Red wire at the Bluetooth module. See the vehicle wire reference chart for wire color and location.

STEP 4

- Plug the OBDII connector into the OBDII of the vehicle, under driver dash.

STEP 5

- Plug the aftermarket radio harnesses into the aftermarket radio.
- Plug the AUX cable to the aftermarket radio (if the vehicle is equipped with an OEM aux port).
- Plug the Data cable to the data port of the aftermarket radio.
- Insert the Audio cable into the iDatalink 3.5 mm audio jack of the aftermarket radio.

Note : When using a Pioneer or Alpine radio, the audio cable will plug into the AUX port.

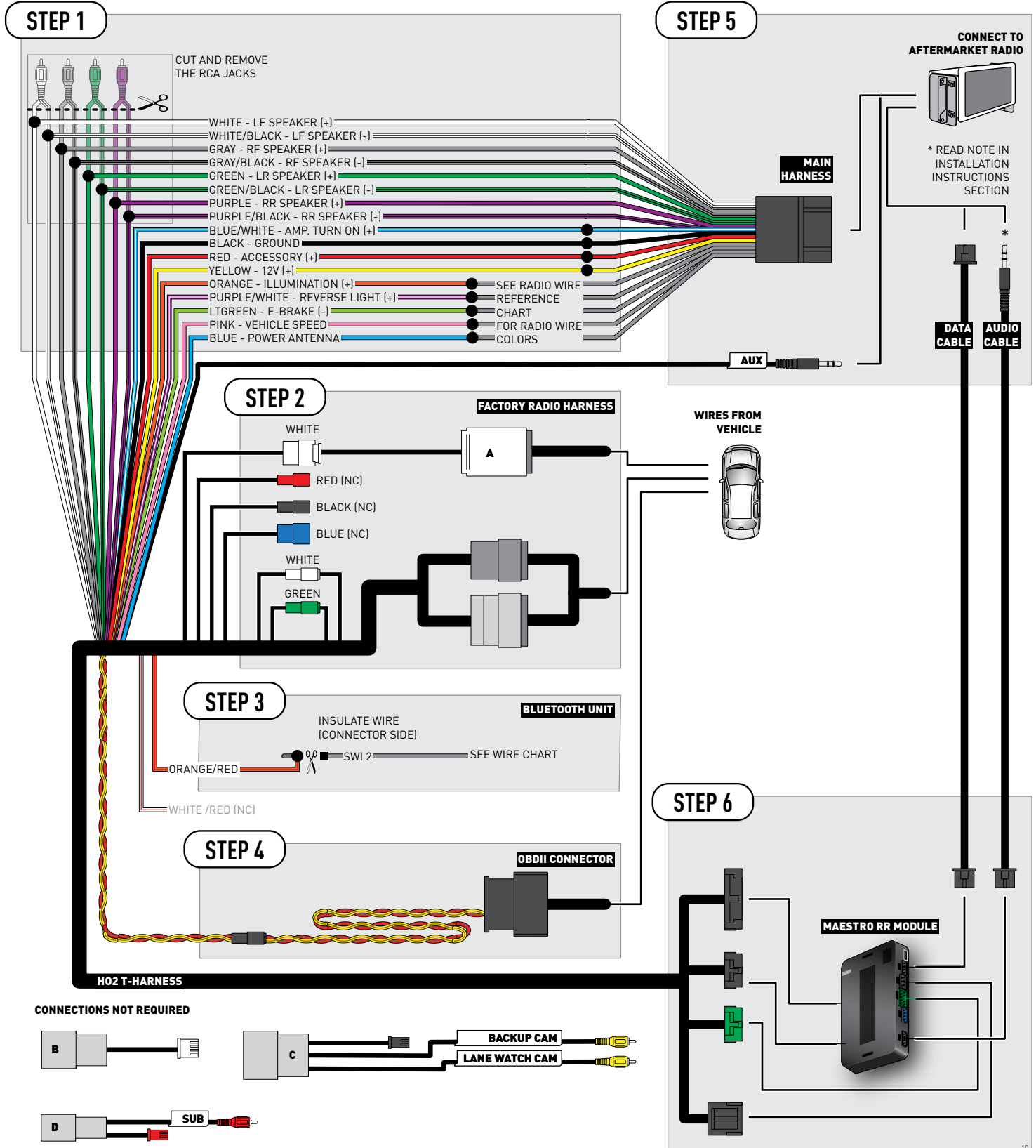
STEP 6

- Connect all the harnesses to the Maestro RR module then test your installation.

TROUBLESHOOTING TIPS:

- To reset the module back its factory settings, turn the key to the OFF position then disconnect all connectors from the module. Press and hold the module's programming button and connect all the connectors back to the module. Wait, the module's LED will flash RED rapidly (this may take up to 10 seconds). Release the programming button. Wait, the LED will turn solid GREEN for 2 seconds.
- For technical assistance call 1-866-427-2999 or e-mail "support@idatalink.com". Visit us at "maestro.idatalink.com/support" and "www.12voltdata.com/forum/"

WIRING DIAGRAM



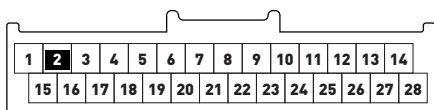
RADIO WIRE REFERENCE CHART

Wire Description	Polarity	Wire Color on Maestro T-Harness	Wire Color on Alpine cable	Wire Color on Kenwood cable	Wire Color on Pioneer cable	Wire Color on Sony cable
Illumination	(+)	Orange	N/A	Orange/White	Orange/White	Orange/White
Reverse Light	(+)	Purple/White	Orange/White	Purple/White	Purple/White	Purple/White
E-Brake	(-)	Lt Green	Yellow/Blue	Lt Green	Lt Green	Lt Green
VSS (vehicle speed sensor)	(DATA)	Pink	Green/White	N/A	Pink	N/A
Power Antenna	(+)	Blue	Blue	Blue	N/A	N/A

VEHICLE WIRE REFERENCE CHART

Wire Description	Connector Name	Connector Color	Connector Type	Position	Wire Color	Polarity	Wire Location
SWI 2	~	~	32 pin	02	Blue	(DATA)	Bluetooth unit, left end of dash

Bluetooth connector





INSTALL GUIDE HONDA ACCORD WITHOUT AMP RETAINING OEM BLUETOOTH 2008-2012

RETAINS FACTORY AMPLIFIER, STEERING WHEEL CONTROLS, AND MORE!



PRODUCTS REQUIRED

iDataLink Maestro RR Radio Replacement Interface
iDataLink Maestro HO2 Installation Harness

PROGRAMMED FIRMWARE

ADS-RR(SR)-HON02-DS

OPTIONAL ACCESSORIES



Click here for:

[Radar Integration Installation Guide](#)

[Radar Integration Owner's Guide for Kenwood and JVC Radios](#)


WELCOME

Congratulations on the purchase of your iDatalink Maestro RR Radio replacement solution. You are now a few simple steps away from enjoying your new car radio with enhanced features.

Before starting your installation, please ensure that your iDatalink Maestro module is programmed with the correct firmware for your vehicle and that you carefully review the install guide.

Please note that Maestro RR will only retain functionalities that were originally available in the vehicle.

NEED HELP?

 **1 866 427-2999**

 support@idatalink.com

 maestro.idatalink.com/support
www.12voltdata.com/forum

TABLE OF CONTENTS

Installation Instructions	3
Wiring Diagram	4
Radio Wire Reference Chart	5
Vehicle Wire Reference Chart	6

INSTALLATION INSTRUCTIONS

STEP 1

- Unbox the aftermarket radio and locate its main harness.
- Cut the WHITE, GRAY, GREEN and PURPLE RCA tips.
- Connect the wires from aftermarket radio main harness to the HO2 T-harness and match the wire functions.
- Remove the factory radio.

STEP 2

- Assemble the HO2 T-harness and connect it to the factory radio harness.
- If the vehicle is equipped with a backup camera in the MID, see the vehicle wire reference chart for wiring information.

STEP 3

- Plug the OBDII connector into the OBDII of the vehicle, under driver dash.

STEP 4

- Plug the aftermarket radio harnesses into the aftermarket radio.
- Plug the AUX cable to the aftermarket radio (if the vehicle is equipped with an OEM aux port).
- Plug the Data cable to the data port of the aftermarket radio.
- Insert the Audio cable into the iDataLink 3.5 mm audio jack of the aftermarket radio.

Note : When using a Pioneer or Alpine radio, the audio cable will plug into the AUX port.

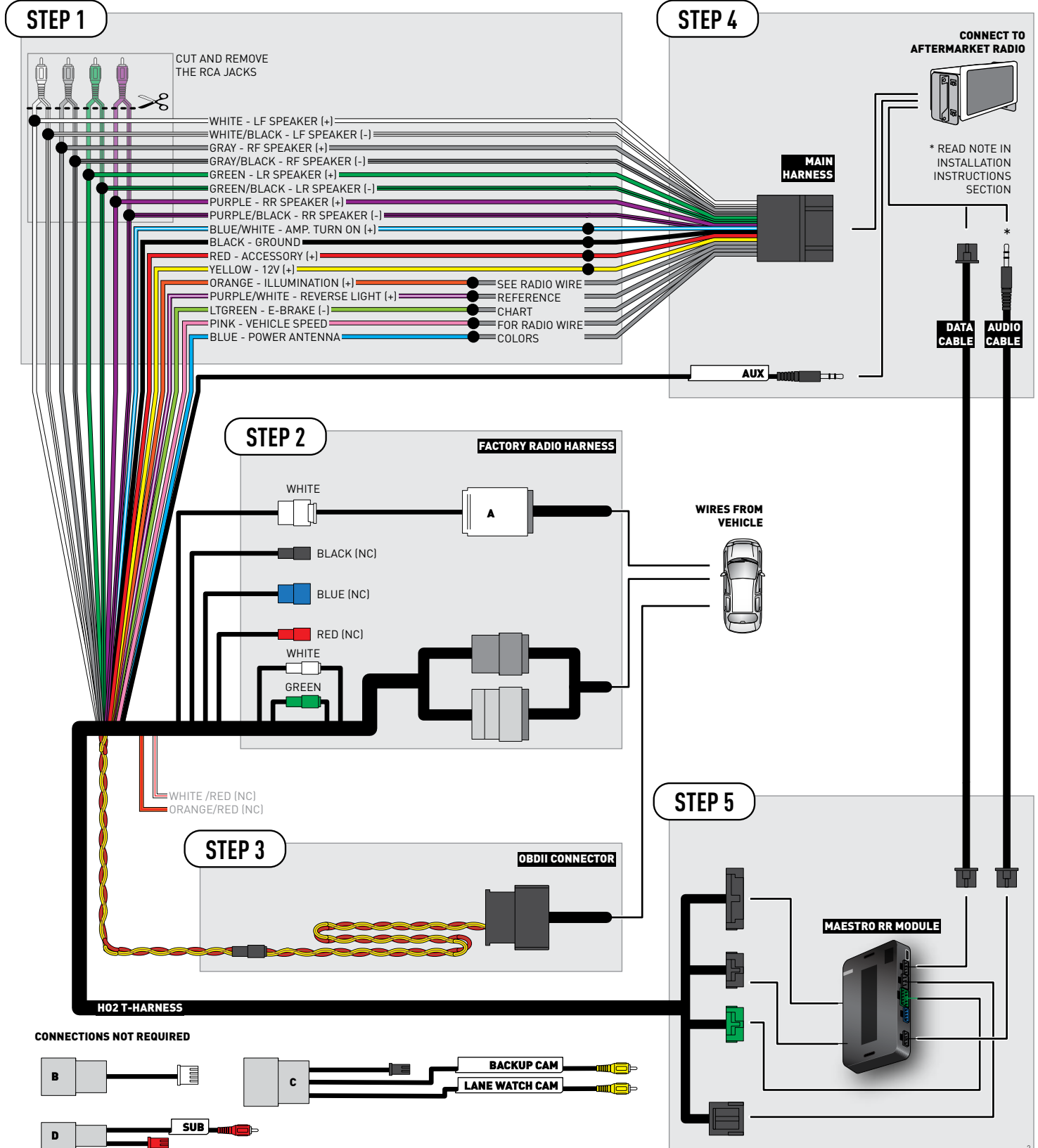
STEP 5

- Connect all the harnesses to the Maestro RR module then test your installation.

TROUBLESHOOTING TIPS:

- To reset the module back its factory settings, turn the key to the OFF position then disconnect all connectors from the module. Press and hold the module's programming button and connect all the connectors back to the module. Wait, the module's LED will flash RED rapidly (this may take up to 10 seconds). Release the programming button. Wait, the LED will turn solid GREEN for 2 seconds.
- For technical assistance call 1-866-427-2999 or e-mail "support@idatalink.com". Visit us at "maestro.idatalink.com/support" and "www.12voltdata.com/forum/"

WIRING DIAGRAM



RADIO WIRE REFERENCE CHART

Wire Description	Polarity	Wire Color on Maestro T-Harness	Wire Color on Alpine cable	Wire Color on Kenwood cable	Wire Color on Pioneer cable	Wire Color on Sony cable
Illumination	(+)	Orange	N/A	Orange/White	Orange/White	Orange/White
Reverse Light	(+)	Purple/White	Orange/White	Purple/White	Purple/White	Purple/White
E-Brake	(-)	Lt Green	Yellow/Blue	Lt Green	Lt Green	Lt Green
VSS (vehicle speed sensor)	(DATA)	Pink	Green/White	N/A	Pink	N/A
Power Antenna	(+)	Blue	Blue	Blue	N/A	N/A

VEHICLE WIRE REFERENCE CHART

Wire Description	Connector Name	Connector Color	Connector Type	Position	Wire Color	Polarity	Wire Location
Video +	n/a	n/a	n/a	n/a	n/a	n/a	n/a
Video -	n/a	n/a	n/a	n/a	n/a	n/a	n/a



INSTALL GUIDE

HONDA CIVIC WITH 7" SCREEN

WITH AMP NOT RETAINING OEM BLUETOOTH

2012-2015

RETAINS FACTORY AMPLIFIER, STEERING WHEEL CONTROLS, AND MORE!



PRODUCTS REQUIRED

iDatalink Maestro RR Radio Replacement Interface
iDatalink Maestro HO2 Installation Harness

PROGRAMMED FIRMWARE

ADS-RR(SR)-HON02-DS

OPTIONAL ACCESSORIES



Click here for:

[Radar Integration Installation Guide](#)

[Radar Integration Owner's Guide for Kenwood and JVC Radios](#)

WELCOME

Congratulations on the purchase of your iDatalink Maestro RR Radio replacement solution. You are now a few simple steps away from enjoying your new car radio with enhanced features.

Before starting your installation, please ensure that your iDatalink Maestro module is programmed with the correct firmware for your vehicle and that you carefully review the install guide.

Please note that Maestro RR will only retain functionalities that were originally available in the vehicle.

NEED HELP?

 **1 866 427-2999**

 **support@idatalink.com**

 **maestro.idatalink.com/support
www.12voltdata.com/forum**

TABLE OF CONTENTS

Installation Instructions	3
Wiring Diagram	4
Radio Wire Reference Chart	5
Vehicle Wire Reference Chart	6

INSTALLATION INSTRUCTIONS

STEP 1

- Unbox the aftermarket radio and locate its main harness.
- Connect the wires from aftermarket radio main harness to the HO2 T-harness and match the wire functions.
- Remove the factory radio.

STEP 2

- Assemble the HO2 T-harness and connect it to the factory radio harness.

STEP 3

- Plug the OBDII connector into the OBDII of the vehicle, under driver dash.

STEP 4

- Plug the aftermarket radio harnesses into the aftermarket radio.
- Connect the speakers and sub RCA cables.
- Plug the AUX cable to the aftermarket radio (if the vehicle is equipped with an OEM aux port).
- Plug the cameras RCA cables (if equipped with backup camera or lane departure cameras).
- Plug the Data cable to the data port of the aftermarket radio.
- Insert the Audio cable into the iDatalink 3.5 mm audio jack of the aftermarket radio.

Note : When using a Pioneer or Alpine radio, the audio cable will plug into the AUX port.

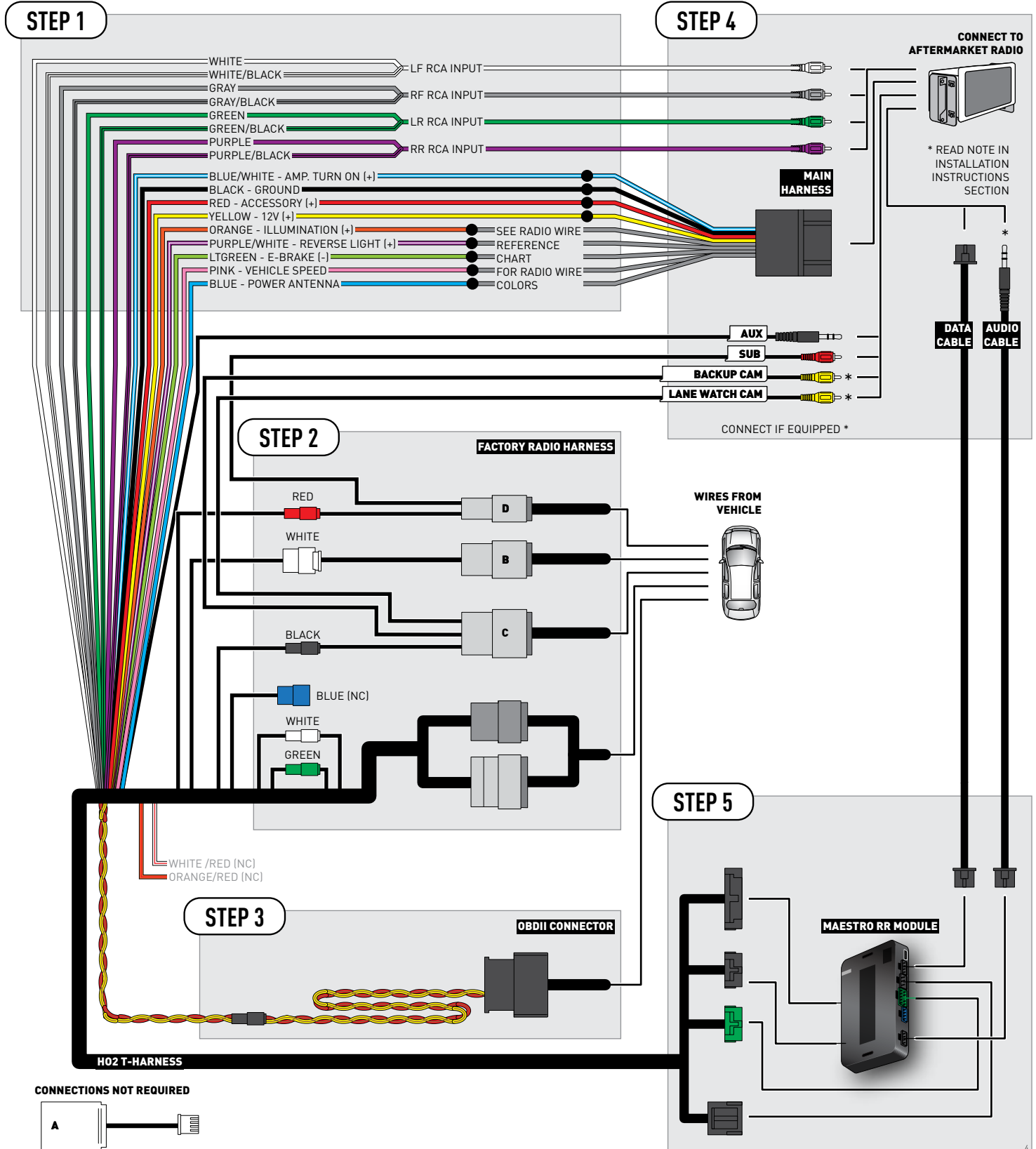
STEP 5

- Connect all the harnesses to the Maestro RR module then test your installation.

TROUBLESHOOTING TIPS:

- To reset the module back its factory settings, turn the key to the OFF position then disconnect all connectors from the module. Press and hold the module's programming button and connect all the connectors back to the module. Wait, the module's LED will flash RED rapidly (this may take up to 10 seconds). Release the programming button. Wait, the LED will turn solid GREEN for 2 seconds.
- For technical assistance call 1-866-427-2999 or e-mail "support@idatalink.com". Visit us at "maestro.idatalink.com/support" and "www.12voltdata.com/forum/"

WIRING DIAGRAM



RADIO WIRE REFERENCE CHART

Wire Description	Polarity	Wire Color on Maestro T-Harness	Wire Color on Alpine cable	Wire Color on Kenwood cable	Wire Color on Pioneer cable	Wire Color on Sony cable
Illumination	(+)	Orange	N/A	Orange/White	Orange/White	Orange/White
Reverse Light	(+)	Purple/White	Orange/White	Purple/White	Purple/White	Purple/White
E-Brake	(-)	Lt Green	Yellow/Blue	Lt Green	Lt Green	Lt Green
VSS (vehicle speed sensor)	(DATA)	Pink	Green/White	N/A	Pink	N/A
Power Antenna	(+)	Blue	Blue	Blue	N/A	N/A

VEHICLE WIRE REFERENCE CHART

Wire Description	Connector Name	Connector Color	Connector Type	Position	Wire Color	Polarity	Wire Location
Video +	n/a	n/a	n/a	n/a	n/a	n/a	n/a
Video -	n/a	n/a	n/a	n/a	n/a	n/a	n/a



INSTALL GUIDE

HONDA CIVIC WITH 7" SCREEN

WITHOUT AMP NOT RETAINING OEM BLUETOOTH

2012-2015

RETAINS FACTORY AMPLIFIER, STEERING WHEEL CONTROLS, AND MORE!



PRODUCTS REQUIRED

iDataLink Maestro RR Radio Replacement Interface
iDataLink Maestro HO2 Installation Harness

PROGRAMMED FIRMWARE

ADS-RR(SR)-HON02-DS

OPTIONAL ACCESSORIES



Click here for:

[Radar Integration Installation Guide](#)

[Radar Integration Owner's Guide for Kenwood and JVC Radios](#)

WELCOME

Congratulations on the purchase of your iDatalink Maestro RR Radio replacement solution. You are now a few simple steps away from enjoying your new car radio with enhanced features.

Before starting your installation, please ensure that your iDatalink Maestro module is programmed with the correct firmware for your vehicle and that you carefully review the install guide.

Please note that Maestro RR will only retain functionalities that were originally available in the vehicle.

NEED HELP?

 **1 866 427-2999**

 **support@idatalink.com**


 **maestro.idatalink.com/support
www.12voltdata.com/forum**

TABLE OF CONTENTS

Installation Instructions	3
Wiring Diagram	4
Radio Wire Reference Chart	5
Vehicle Wire Reference Chart	6

INSTALLATION INSTRUCTIONS

STEP 1

- Unbox the aftermarket radio and locate its main harness.
- Cut the WHITE, GRAY, GREEN and PURPLE RCA tips.
- Connect the wires from aftermarket radio main harness to the HO2 T-harness and match the wire functions.
- Remove the factory radio.

STEP 2

- Assemble the HO2 T-harness and connect it to the factory radio harness.

STEP 3

- Plug the OBDII connector into the OBDII of the vehicle, under driver dash.

STEP 4

- Plug the aftermarket radio harnesses into the aftermarket radio.
- Plug the AUX cable to the aftermarket radio (if the vehicle is equipped with an OEM aux port).
- Plug the cameras RCA cables (if equipped with backup camera or lane departure cameras).
- Plug the Data cable to the data port of the aftermarket radio.
- Insert the Audio cable into the iDatalink 3.5 mm audio jack of the aftermarket radio.

Note : When using a Pioneer or Alpine radio, the audio cable will plug into the AUX port.

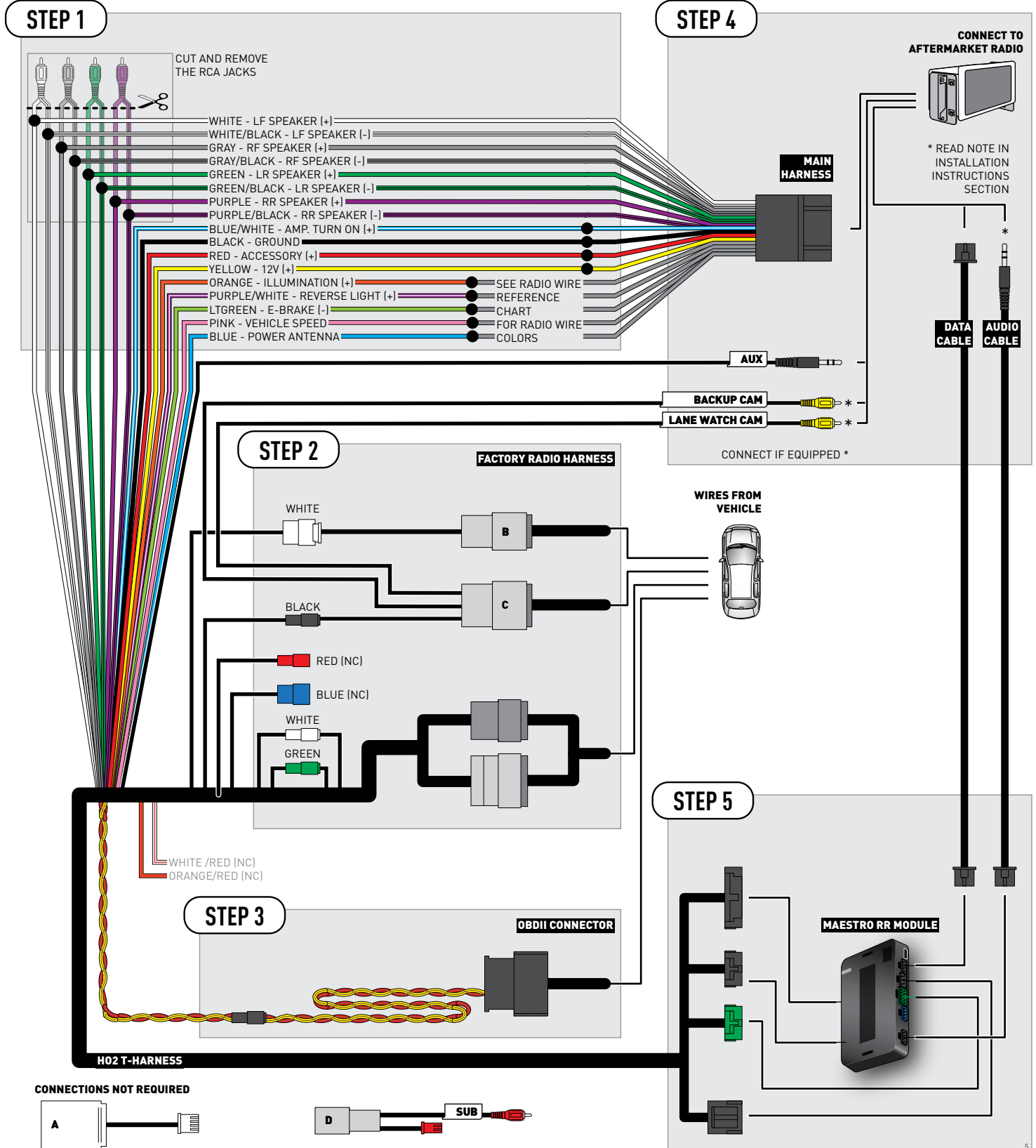
STEP 5

- Connect all the harnesses to the Maestro RR module then test your installation.

TROUBLESHOOTING TIPS:

- To reset the module back its factory settings, turn the key to the OFF position then disconnect all connectors from the module. Press and hold the module's programming button and connect all the connectors back to the module. Wait, the module's LED will flash RED rapidly (this may take up to 10 seconds). Release the programming button. Wait, the LED will turn solid GREEN for 2 seconds.
- For technical assistance call 1-866-427-2999 or e-mail "support@idatalink.com". Visit us at "maestro.idatalink.com/support" and "www.12voltdata.com/forum/"

WIRING DIAGRAM



RADIO WIRE REFERENCE CHART

Wire Description	Polarity	Wire Color on Maestro T-Harness	Wire Color on Alpine cable	Wire Color on Kenwood cable	Wire Color on Pioneer cable	Wire Color on Sony cable
Illumination	(+)	Orange	N/A	Orange/White	Orange/White	Orange/White
Reverse Light	(+)	Purple/White	Orange/White	Purple/White	Purple/White	Purple/White
E-Brake	(-)	Lt Green	Yellow/Blue	Lt Green	Lt Green	Lt Green
VSS (vehicle speed sensor)	(DATA)	Pink	Green/White	N/A	Pink	N/A
Power Antenna	(+)	Blue	Blue	Blue	N/A	N/A

VEHICLE WIRE REFERENCE CHART

Wire Description	Connector Name	Connector Color	Connector Type	Position	Wire Color	Polarity	Wire Location
Video +	n/a	n/a	n/a	n/a	n/a	n/a	n/a
Video -	n/a	n/a	n/a	n/a	n/a	n/a	n/a



INSTALL GUIDE HONDA CIVIC WITH AMP NOT RETAINING OEM BLUETOOTH 2012-2013

RETAINS FACTORY AMPLIFIER, STEERING WHEEL CONTROLS, AND MORE!



PRODUCTS REQUIRED

iDataLink Maestro RR Radio Replacement Interface
iDataLink Maestro HO2 Installation Harness

PROGRAMMED FIRMWARE

ADS-RR(SR)-HON02-DS

OPTIONAL ACCESSORIES



Click here for:

[Radar Integration Installation Guide](#)

[Radar Integration Owner's Guide for Kenwood and JVC Radios](#)

WELCOME

Congratulations on the purchase of your iDatalink Maestro RR Radio replacement solution. You are now a few simple steps away from enjoying your new car radio with enhanced features.

Before starting your installation, please ensure that your iDatalink Maestro module is programmed with the correct firmware for your vehicle and that you carefully review the install guide.

Please note that Maestro RR will only retain functionalities that were originally available in the vehicle.

NEED HELP?

 **1 866 427-2999**

 support@idatalink.com


 maestro.idatalink.com/support
www.12voltdata.com/forum

TABLE OF CONTENTS

Installation Instructions	3
Wiring Diagram	4
Radio Wire Reference Chart	5
Vehicle Wire Reference Chart	6

INSTALLATION INSTRUCTIONS

STEP 1

- Unbox the aftermarket radio and locate its main harness.
- Connect the wires from aftermarket radio main harness to the HO2 T-harness and match the wire functions.
- Remove the factory radio.

STEP 2

- Assemble the HO2 T-harness and connect it to the factory radio harness.
- If the vehicle is equipped with a backup camera in the MID, see the vehicle wire reference chart for wiring information.

STEP 3

- Connect the Orange/Red wire at the Bluetooth module. See the vehicle wire reference chart for wire color and location.

STEP 4

- Plug the OBDII connector into the OBDII of the vehicle, under driver dash.

STEP 5

- Plug the aftermarket radio harnesses into the aftermarket radio.
- Connect the speakers and sub RCA cables.
- Plug the AUX cable to the aftermarket radio (if the vehicle is equipped with an OEM aux port).
- Plug the Data cable to the data port of the aftermarket radio.
- Insert the Audio cable into the iDataLink 3.5 mm audio jack of the aftermarket radio.

Note : When using a Pioneer or Alpine radio, the audio cable will plug into the AUX port.

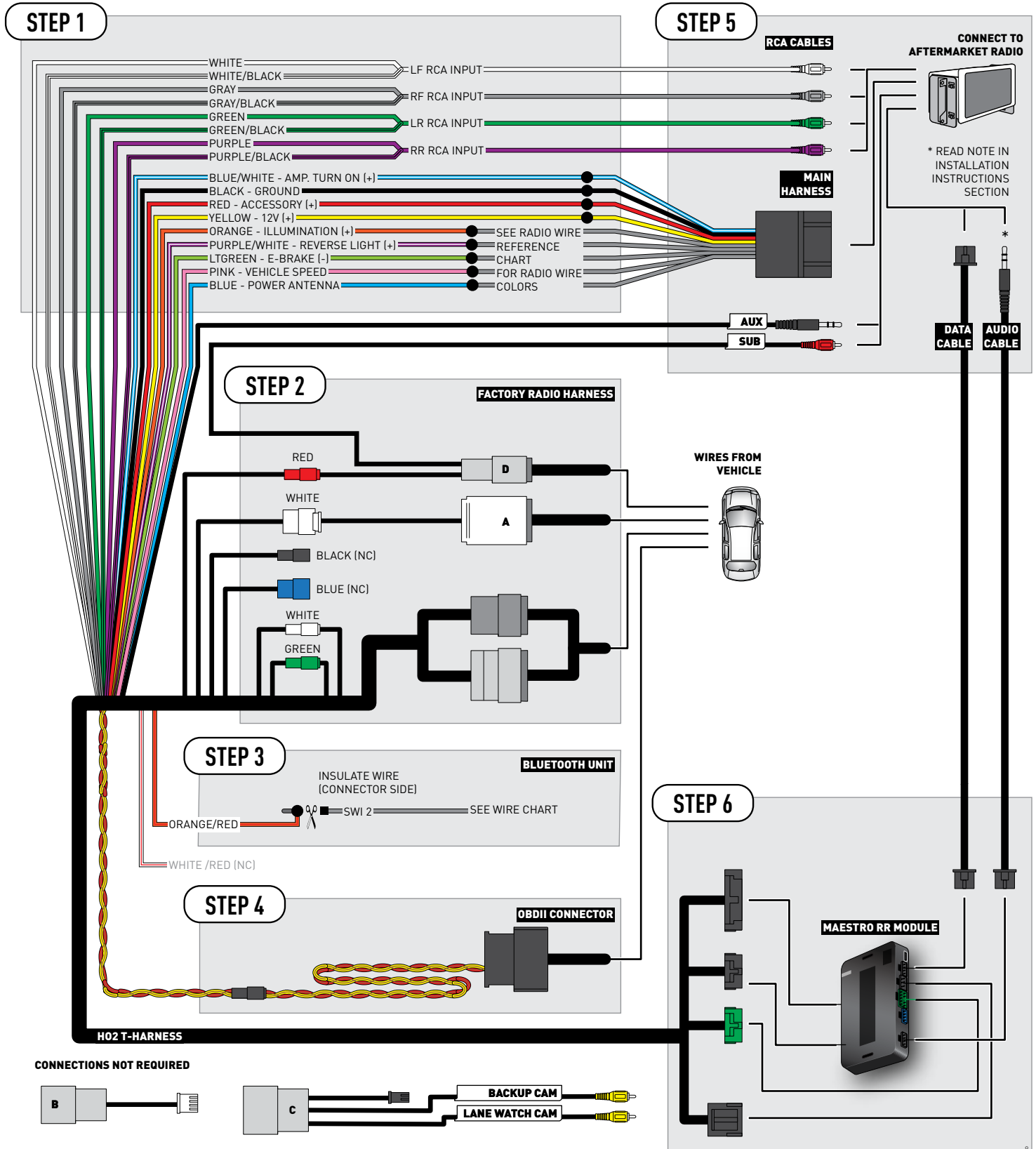
STEP 6

- Connect all the harnesses to the Maestro RR module then test your installation.

TROUBLESHOOTING TIPS:

- To reset the module back its factory settings, turn the key to the OFF position then disconnect all connectors from the module. Press and hold the module's programming button and connect all the connectors back to the module. Wait, the module's LED will flash RED rapidly (this may take up to 10 seconds). Release the programming button. Wait, the LED will turn solid GREEN for 2 seconds.
- For technical assistance call 1-866-427-2999 or e-mail "support@idatalink.com". Visit us at "maestro.idatalink.com/support" and "www.12voltdata.com/forum/"

WIRING DIAGRAM



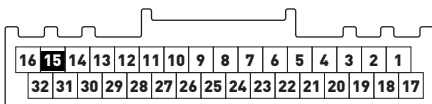
RADIO WIRE REFERENCE CHART

Wire Description	Polarity	Wire Color on Maestro T-Harness	Wire Color on Alpine cable	Wire Color on Kenwood cable	Wire Color on Pioneer cable	Wire Color on Sony cable
Illumination	(+)	Orange	N/A	Orange/White	Orange/White	Orange/White
Reverse Light	(+)	Purple/White	Orange/White	Purple/White	Purple/White	Purple/White
E-Brake	(-)	Lt Green	Yellow/Blue	Lt Green	Lt Green	Lt Green
VSS (vehicle speed sensor)	(DATA)	Pink	Green/White	N/A	Pink	N/A
Power Antenna	(+)	Blue	Blue	Blue	N/A	N/A

VEHICLE WIRE REFERENCE CHART

Wire Description	Connector Name	Connector Color	Connector Type	Position	Wire Color	Polarity	Wire Location
SWI 2	~	~	32 pin	15	Blue	(DATA)	Bluetooth unit, above glove box
Video +	~	~	~	19	Black	(+)	MID
Video -	~	~	~	03	White	(-)	MID

Bluetooth connector





INSTALL GUIDE HONDA CIVIC WITH AMP NOT RETAINING OEM BLUETOOTH 2014-2015

RETAINS FACTORY AMPLIFIER, STEERING WHEEL CONTROLS, AND MORE!



PRODUCTS REQUIRED

iDatalink Maestro RR Radio Replacement Interface
iDatalink Maestro HO2 Installation Harness

PROGRAMMED FIRMWARE

ADS-RR(SR)-HON02-DS

OPTIONAL ACCESSORIES



Click here for:

[Radar Integration Installation Guide](#)

[Radar Integration Owner's Guide for Kenwood and JVC Radios](#)

WELCOME

Congratulations on the purchase of your iDatalink Maestro RR Radio replacement solution. You are now a few simple steps away from enjoying your new car radio with enhanced features.

Before starting your installation, please ensure that your iDatalink Maestro module is programmed with the correct firmware for your vehicle and that you carefully review the install guide.

Please note that Maestro RR will only retain functionalities that were originally available in the vehicle.

NEED HELP?

 **1 866 427-2999**

 **support@idatalink.com**

 **maestro.idatalink.com/support**
www.12voltdata.com/forum

TABLE OF CONTENTS

Installation Instructions	3
Wiring Diagram	4
Radio Wire Reference Chart	5
Vehicle Wire Reference Chart	6

INSTALLATION INSTRUCTIONS

STEP 1

- Unbox the aftermarket radio and locate its main harness.
- Connect the wires from aftermarket radio main harness to the HO2 T-harness and match the wire functions.
- Remove the factory radio.

STEP 2

- Assemble the HO2 T-harness and connect it to the factory radio harness.
- If the vehicle is equipped with a backup camera in the MID, see the vehicle wire reference chart for wiring information.

STEP 3

- Connect the Orange/Red wire at the Bluetooth module. See the vehicle wire reference chart for wire color and location.

STEP 4

- Plug the OBDII connector into the OBDII of the vehicle, under driver dash.

STEP 5

- Plug the aftermarket radio harnesses into the aftermarket radio.
- Connect the speakers and sub RCA cables.
- Plug the AUX cable to the aftermarket radio (if the vehicle is equipped with an OEM aux port).
- Plug the Data cable to the data port of the aftermarket radio.
- Insert the Audio cable into the iDataLink 3.5 mm audio jack of the aftermarket radio.

Note : When using a Pioneer or Alpine radio, the audio cable will plug into the AUX port.

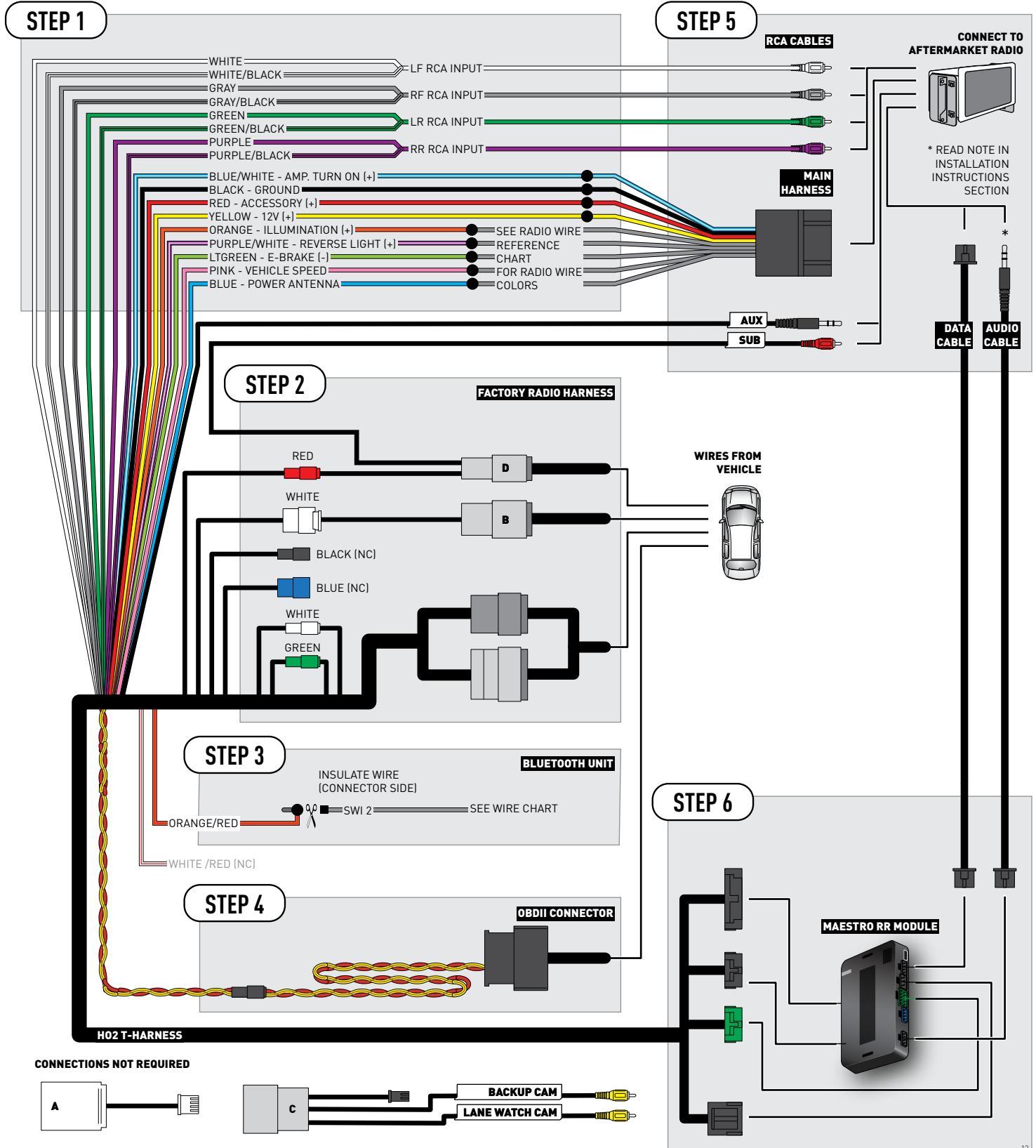
STEP 6

- Connect all the harnesses to the Maestro RR module then test your installation.

TROUBLESHOOTING TIPS:

- To reset the module back its factory settings, turn the key to the OFF position then disconnect all connectors from the module. Press and hold the module's programming button and connect all the connectors back to the module. Wait, the module's LED will flash RED rapidly (this may take up to 10 seconds). Release the programming button. Wait, the LED will turn solid GREEN for 2 seconds.
- For technical assistance call 1-866-427-2999 or e-mail "support@idatalink.com". Visit us at "maestro.idatalink.com/support" and "www.12voltdata.com/forum/"

WIRING DIAGRAM



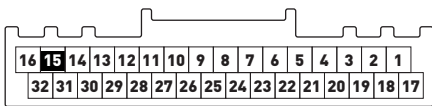
RADIO WIRE REFERENCE CHART

Wire Description	Polarity	Wire Color on Maestro T-Harness	Wire Color on Alpine cable	Wire Color on Kenwood cable	Wire Color on Pioneer cable	Wire Color on Sony cable
Illumination	(+)	Orange	N/A	Orange/White	Orange/White	Orange/White
Reverse Light	(+)	Purple/White	Orange/White	Purple/White	Purple/White	Purple/White
E-Brake	(-)	Lt Green	Yellow/Blue	Lt Green	Lt Green	Lt Green
VSS (vehicle speed sensor)	(DATA)	Pink	Green/White	N/A	Pink	N/A
Power Antenna	(+)	Blue	Blue	Blue	N/A	N/A

VEHICLE WIRE REFERENCE CHART

Wire Description	Connector Name	Connector Color	Connector Type	Position	Wire Color	Polarity	Wire Location
SWI 2	~	~	32 pin	15	Blue	(DATA)	Bluetooth unit, above glove box
Video +	~	~	~	19	Black	(+)	MID
Video -	~	~	~	03	Red	(-)	MID

Bluetooth connector





INSTALL GUIDE HONDA CIVIC WITH AMP RETAINING OEM BLUETOOTH 2012-2013

RETAINS FACTORY AMPLIFIER, STEERING WHEEL CONTROLS, AND MORE!



PRODUCTS REQUIRED

iDataLink Maestro RR Radio Replacement Interface
iDataLink Maestro HO2 Installation Harness

PROGRAMMED FIRMWARE

ADS-RR(SR)-HON02-DS

OPTIONAL ACCESSORIES



Click here for:

[Radar Integration Installation Guide](#)

[Radar Integration Owner's Guide for Kenwood and JVC Radios](#)

WELCOME

Congratulations on the purchase of your iDatalink Maestro RR Radio replacement solution. You are now a few simple steps away from enjoying your new car radio with enhanced features.

Before starting your installation, please ensure that your iDatalink Maestro module is programmed with the correct firmware for your vehicle and that you carefully review the install guide.

Please note that Maestro RR will only retain functionalities that were originally available in the vehicle.

NEED HELP?

 **1 866 427-2999**

 support@idatalink.com


 maestro.idatalink.com/support
www.12voltdata.com/forum

TABLE OF CONTENTS

Installation Instructions	3
Wiring Diagram	4
Radio Wire Reference Chart	5
Vehicle Wire Reference Chart	6

INSTALLATION INSTRUCTIONS

STEP 1

- Unbox the aftermarket radio and locate its main harness.
- Connect the wires from aftermarket radio main harness to the HO2 T-harness and match the wire functions.
- Remove the factory radio.

STEP 2

- Assemble the HO2 T-harness and connect it to the factory radio harness.
- If the vehicle is equipped with a backup camera in the MID, see the vehicle wire reference chart for wiring information.

STEP 3

- Plug the OBDII connector into the OBDII of the vehicle, under driver dash.

STEP 4

- Plug the aftermarket radio harnesses into the aftermarket radio.
- Connect the speakers and sub RCA cables.
- Plug the AUX cable to the aftermarket radio (if the vehicle is equipped with an OEM aux port).
- Plug the Data cable to the data port of the aftermarket radio.
- Insert the Audio cable into the iDataLink 3.5 mm audio jack of the aftermarket radio.

Note : When using a Pioneer or Alpine radio, the audio cable will plug into the AUX port.

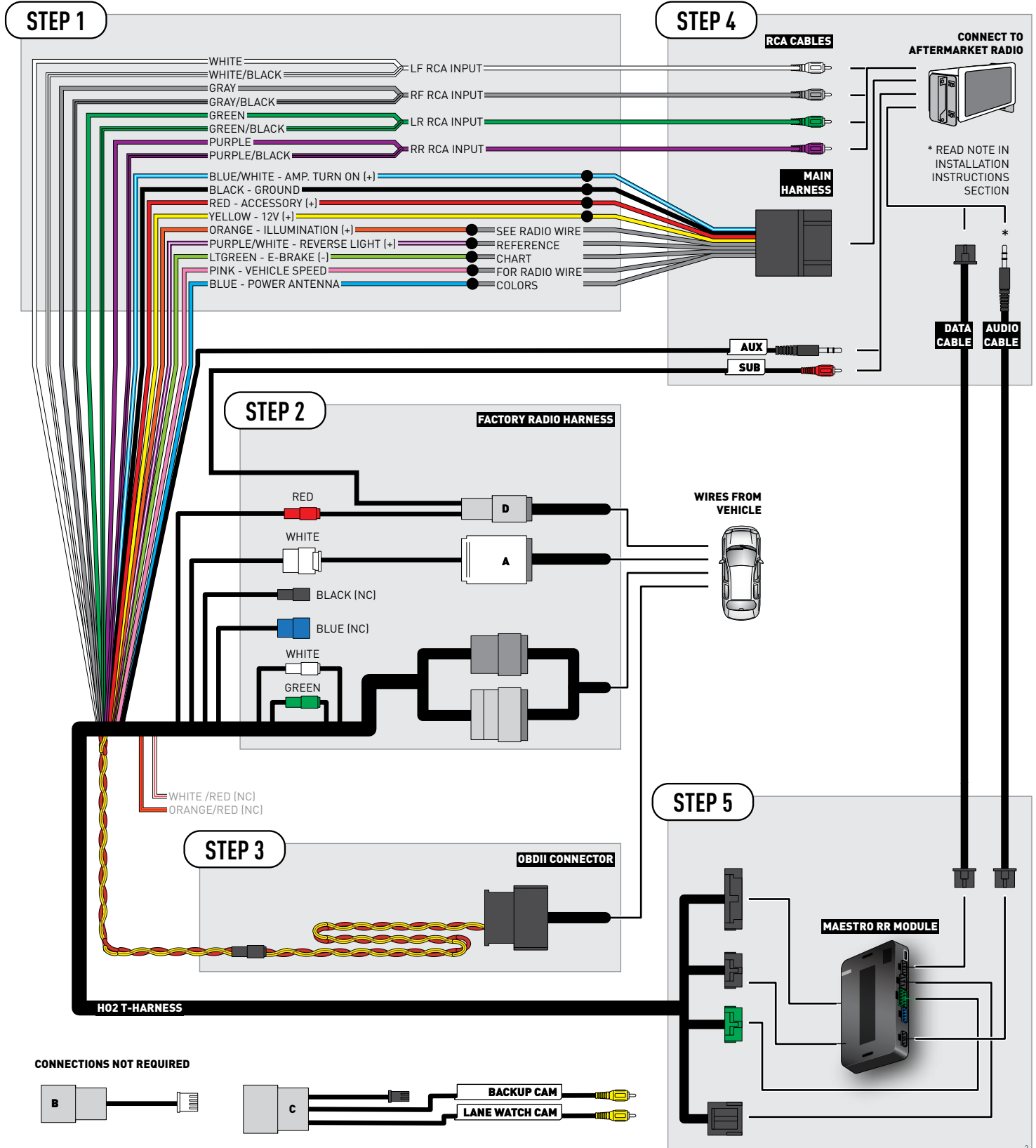
STEP 5

- Connect all the harnesses to the Maestro RR module then test your installation.

TROUBLESHOOTING TIPS:

- To reset the module back its factory settings, turn the key to the OFF position then disconnect all connectors from the module. Press and hold the module's programming button and connect all the connectors back to the module. Wait, the module's LED will flash RED rapidly (this may take up to 10 seconds). Release the programming button. Wait, the LED will turn solid GREEN for 2 seconds.
- For technical assistance call 1-866-427-2999 or e-mail "support@idatalink.com". Visit us at "maestro.idatalink.com/support" and "www.12voltdata.com/forum/"

WIRING DIAGRAM



RADIO WIRE REFERENCE CHART

Wire Description	Polarity	Wire Color on Maestro T-Harness	Wire Color on Alpine cable	Wire Color on Kenwood cable	Wire Color on Pioneer cable	Wire Color on Sony cable
Illumination	(+)	Orange	N/A	Orange/White	Orange/White	Orange/White
Reverse Light	(+)	Purple/White	Orange/White	Purple/White	Purple/White	Purple/White
E-Brake	(-)	Lt Green	Yellow/Blue	Lt Green	Lt Green	Lt Green
VSS (vehicle speed sensor)	(DATA)	Pink	Green/White	N/A	Pink	N/A
Power Antenna	(+)	Blue	Blue	Blue	N/A	N/A

VEHICLE WIRE REFERENCE CHART

Wire Description	Connector Name	Connector Color	Connector Type	Position	Wire Color	Polarity	Wire Location
Video +	~	~	~	19	Black	(+)	MID
Video -	~	~	~	03	White	(-)	MID



INSTALL GUIDE HONDA CIVIC WITH AMP RETAINING OEM BLUETOOTH 2014-2015

RETAINS FACTORY AMPLIFIER, STEERING WHEEL CONTROLS, AND MORE!



PRODUCTS REQUIRED

iDatalink Maestro RR Radio Replacement Interface
iDatalink Maestro HO2 Installation Harness

PROGRAMMED FIRMWARE

ADS-RR(SR)-HON02-DS

OPTIONAL ACCESSORIES



Click here for:

[Radar Integration Installation Guide](#)

[Radar Integration Owner's Guide for Kenwood and JVC Radios](#)

WELCOME

Congratulations on the purchase of your iDatalink Maestro RR Radio replacement solution. You are now a few simple steps away from enjoying your new car radio with enhanced features.

Before starting your installation, please ensure that your iDatalink Maestro module is programmed with the correct firmware for your vehicle and that you carefully review the install guide.

Please note that Maestro RR will only retain functionalities that were originally available in the vehicle.

NEED HELP?

 **1 866 427-2999**

 support@idatalink.com

 maestro.idatalink.com/support
www.12voltdata.com/forum

TABLE OF CONTENTS

Installation Instructions	3
Wiring Diagram	4
Radio Wire Reference Chart	5
Vehicle Wire Reference Chart	6

INSTALLATION INSTRUCTIONS

STEP 1

- Unbox the aftermarket radio and locate its main harness.
- Connect the wires from aftermarket radio main harness to the HO2 T-harness and match the wire functions.
- Remove the factory radio.

STEP 2

- Assemble the HO2 T-harness and connect it to the factory radio harness.
- If the vehicle is equipped with a backup camera in the MID, see the vehicle wire reference chart for wiring information.

STEP 3

- Plug the OBDII connector into the OBDII of the vehicle, under driver dash.

STEP 4

- Plug the aftermarket radio harnesses into the aftermarket radio.
- Connect the speakers and sub RCA cables.
- Plug the AUX cable to the aftermarket radio (if the vehicle is equipped with an OEM aux port).
- Plug the Data cable to the data port of the aftermarket radio.
- Insert the Audio cable into the iDatalink 3.5 mm audio jack of the aftermarket radio.

Note : When using a Pioneer or Alpine radio, the audio cable will plug into the AUX port.

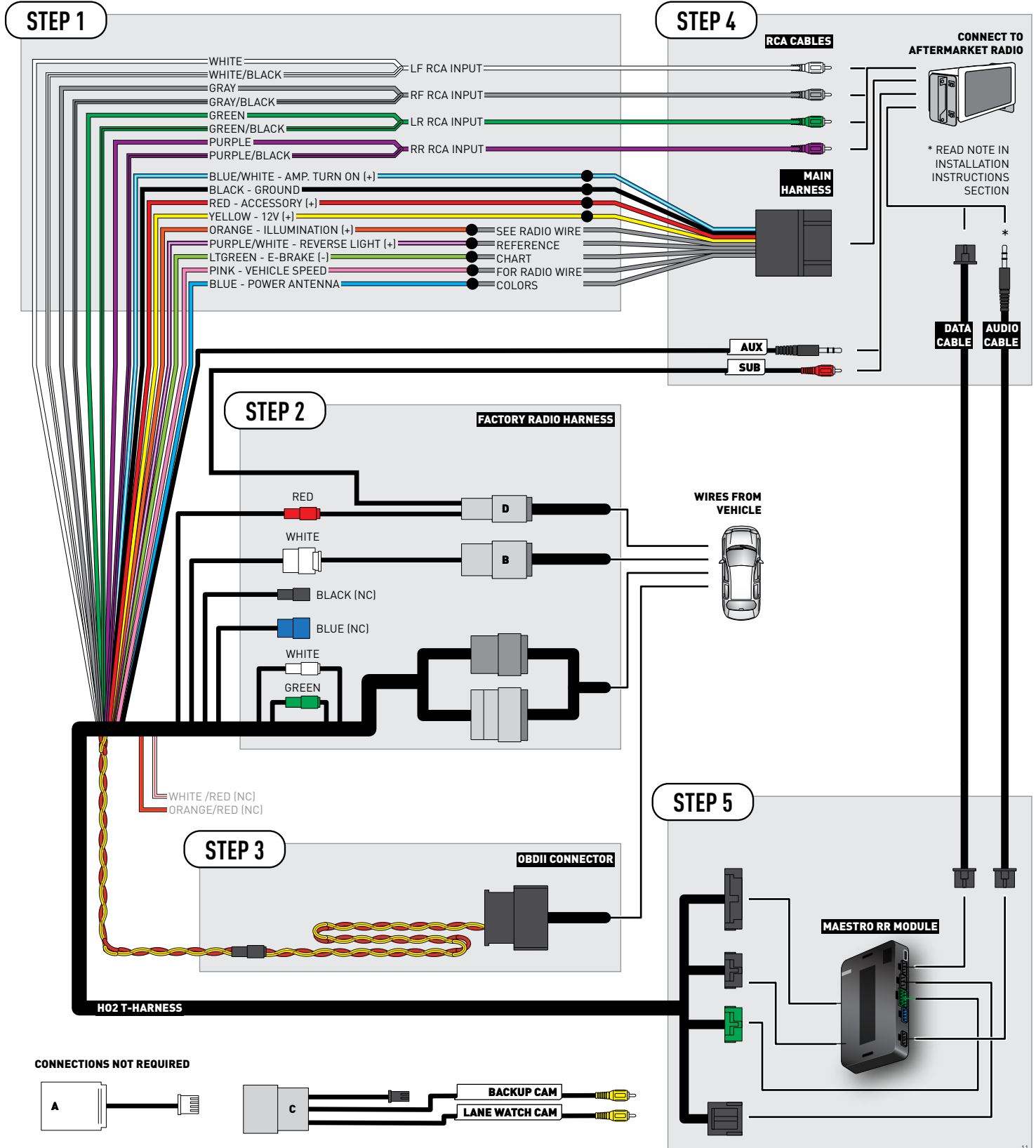
STEP 5

- Connect all the harnesses to the Maestro RR module then test your installation.

TROUBLESHOOTING TIPS:

- To reset the module back its factory settings, turn the key to the OFF position then disconnect all connectors from the module. Press and hold the module's programming button and connect all the connectors back to the module. Wait, the module's LED will flash RED rapidly (this may take up to 10 seconds). Release the programming button. Wait, the LED will turn solid GREEN for 2 seconds.
- For technical assistance call 1-866-427-2999 or e-mail "support@idatalink.com". Visit us at "maestro.idatalink.com/support" and "www.12voltdata.com/forum/"

WIRING DIAGRAM



RADIO WIRE REFERENCE CHART

Wire Description	Polarity	Wire Color on Maestro T-Harness	Wire Color on Alpine cable	Wire Color on Kenwood cable	Wire Color on Pioneer cable	Wire Color on Sony cable
Illumination	(+)	Orange	N/A	Orange/White	Orange/White	Orange/White
Reverse Light	(+)	Purple/White	Orange/White	Purple/White	Purple/White	Purple/White
E-Brake	(-)	Lt Green	Yellow/Blue	Lt Green	Lt Green	Lt Green
VSS (vehicle speed sensor)	(DATA)	Pink	Green/White	N/A	Pink	N/A
Power Antenna	(+)	Blue	Blue	Blue	N/A	N/A

VEHICLE WIRE REFERENCE CHART

Wire Description	Connector Name	Connector Color	Connector Type	Position	Wire Color	Polarity	Wire Location
Video +	~	~	~	19	Black	(+)	MID
Video -	~	~	~	03	Red	(-)	MID



INSTALL GUIDE HONDA CIVIC WITHOUT AMP NOT RETAINING OEM BLUETOOTH 2012-2013

RETAINS FACTORY AMPLIFIER, STEERING WHEEL CONTROLS, AND MORE!



PRODUCTS REQUIRED

iDataLink Maestro RR Radio Replacement Interface
iDataLink Maestro HO2 Installation Harness

PROGRAMMED FIRMWARE

ADS-RR(SR)-HON02-DS

OPTIONAL ACCESSORIES



Click here for:

[Radar Integration Installation Guide](#)

[Radar Integration Owner's Guide for Kenwood and JVC Radios](#)

WELCOME

Congratulations on the purchase of your iDatalink Maestro RR Radio replacement solution. You are now a few simple steps away from enjoying your new car radio with enhanced features.

Before starting your installation, please ensure that your iDatalink Maestro module is programmed with the correct firmware for your vehicle and that you carefully review the install guide.

Please note that Maestro RR will only retain functionalities that were originally available in the vehicle.

NEED HELP?

 **1 866 427-2999**

 **support@idatalink.com**


 **maestro.idatalink.com/support
www.12voltdata.com/forum**

TABLE OF CONTENTS

Installation Instructions	3
Wiring Diagram	4
Radio Wire Reference Chart	5
Vehicle Wire Reference Chart	6

INSTALLATION INSTRUCTIONS

STEP 1

- Unbox the aftermarket radio and locate its main harness.
- Cut the WHITE, GRAY, GREEN and PURPLE RCA tips.
- Connect the wires from aftermarket radio main harness to the HO2 T-harness and match the wire functions.
- Remove the factory radio.

STEP 2

- Assemble the HO2 T-harness and connect it to the factory radio harness.
- If the vehicle is equipped with a backup camera in the MID, see the vehicle wire reference chart for wiring information.

STEP 3

- Connect the Orange/Red wire at the Bluetooth module. See the vehicle wire reference chart for wire color and location.

STEP 4

- Plug the OBDII connector into the OBDII of the vehicle, under driver dash.

STEP 5

- Plug the aftermarket radio harnesses into the aftermarket radio.
- Plug the AUX cable to the aftermarket radio (if the vehicle is equipped with an OEM aux port).
- Plug the Data cable to the data port of the aftermarket radio.
- Insert the Audio cable into the iDataLink 3.5 mm audio jack of the aftermarket radio.

Note : When using a Pioneer or Alpine radio, the audio cable will plug into the AUX port.

STEP 6

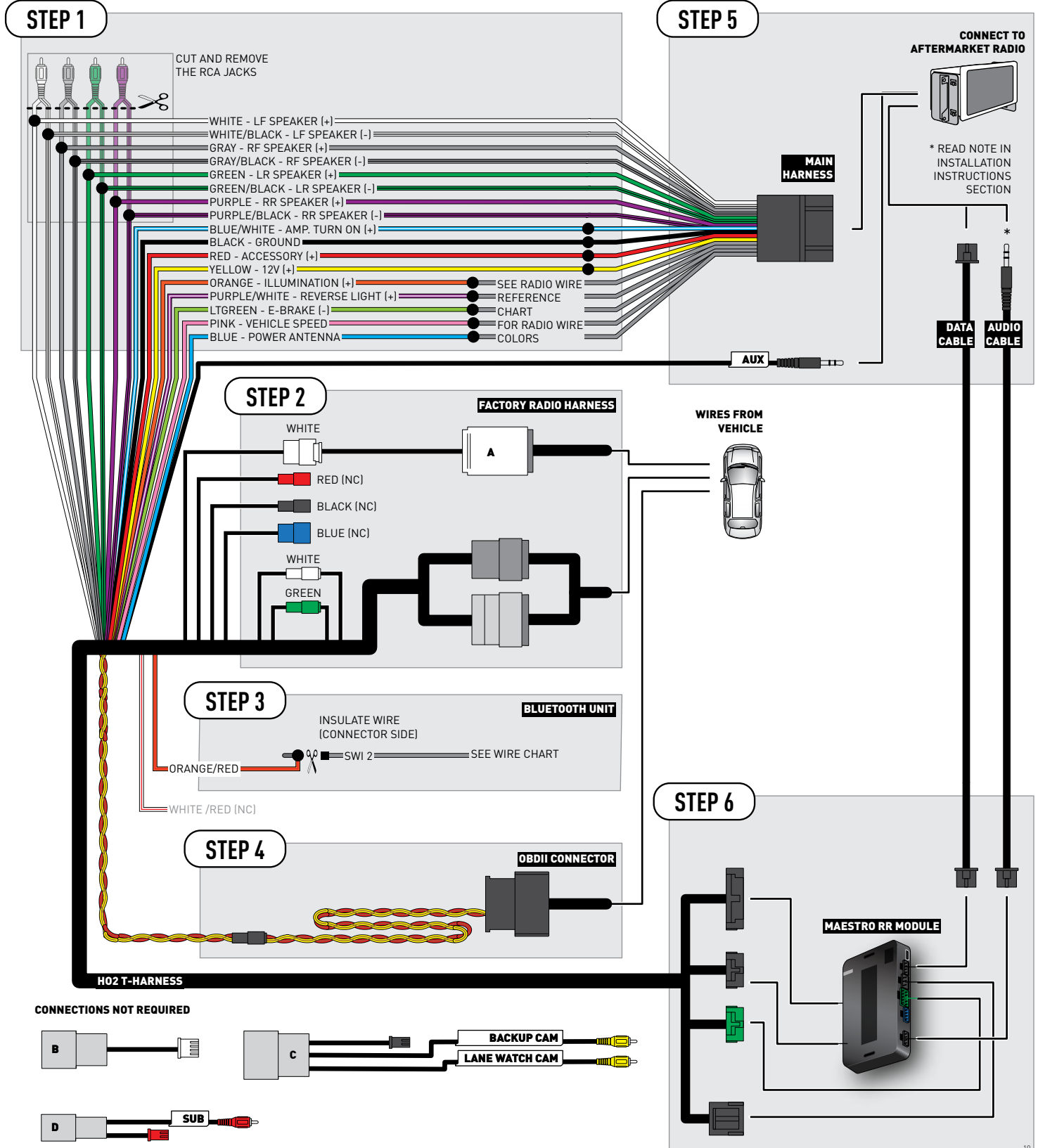
- Connect all the harnesses to the Maestro RR module then test your installation.

TROUBLESHOOTING TIPS:

- To reset the module back its factory settings, turn the key to the OFF position then disconnect all connectors from the module. Press and hold the module's programming button and connect all the connectors back to the module. Wait, the module's LED will flash RED rapidly (this may take up to 10 seconds). Release the programming button. Wait, the LED will turn solid GREEN for 2 seconds.
- For technical assistance call 1-866-427-2999 or e-mail "support@idatalink.com". Visit us at "maestro.idatalink.com/support" and "www.12voltdata.com/forum/"

9

WIRING DIAGRAM



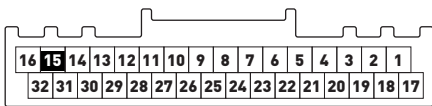
RADIO WIRE REFERENCE CHART

Wire Description	Polarity	Wire Color on Maestro T-Harness	Wire Color on Alpine cable	Wire Color on Kenwood cable	Wire Color on Pioneer cable	Wire Color on Sony cable
Illumination	(+)	Orange	N/A	Orange/White	Orange/White	Orange/White
Reverse Light	(+)	Purple/White	Orange/White	Purple/White	Purple/White	Purple/White
E-Brake	(-)	Lt Green	Yellow/Blue	Lt Green	Lt Green	Lt Green
VSS (vehicle speed sensor)	(DATA)	Pink	Green/White	N/A	Pink	N/A
Power Antenna	(+)	Blue	Blue	Blue	N/A	N/A

VEHICLE WIRE REFERENCE CHART

Wire Description	Connector Name	Connector Color	Connector Type	Position	Wire Color	Polarity	Wire Location
SWI 2	~	~	32 pin	15	Blue	(DATA)	Bluetooth unit, above glove box
Video +	~	~	~	19	Black	(+)	MID
Video -	~	~	~	03	White	(-)	MID

Bluetooth connector





INSTALL GUIDE HONDA CIVIC

WITHOUT AMP NOT RETAINING OEM BLUETOOTH 2014-2015

RETAINS FACTORY AMPLIFIER, STEERING WHEEL CONTROLS, AND MORE!



PRODUCTS REQUIRED

iDataLink Maestro RR Radio Replacement Interface
iDataLink Maestro HO2 Installation Harness

PROGRAMMED FIRMWARE

ADS-RR(SR)-HON02-DS

OPTIONAL ACCESSORIES



Click here for:

[Radar Integration Installation Guide](#)

[Radar Integration Owner's Guide for Kenwood and JVC Radios](#)

WELCOME

Congratulations on the purchase of your iDatalink Maestro RR Radio replacement solution. You are now a few simple steps away from enjoying your new car radio with enhanced features.

Before starting your installation, please ensure that your iDatalink Maestro module is programmed with the correct firmware for your vehicle and that you carefully review the install guide.

Please note that Maestro RR will only retain functionalities that were originally available in the vehicle.

NEED HELP?

 **1 866 427-2999**

 **support@idatalink.com**


 **maestro.idatalink.com/support**
www.12voltdata.com/forum

TABLE OF CONTENTS

Installation Instructions	3
Wiring Diagram	4
Radio Wire Reference Chart	5
Vehicle Wire Reference Chart	6

INSTALLATION INSTRUCTIONS

STEP 1

- Unbox the aftermarket radio and locate its main harness.
- Cut the WHITE, GRAY, GREEN and PURPLE RCA tips.
- Connect the wires from aftermarket radio main harness to the HO2 T-harness and match the wire functions.
- Remove the factory radio.

STEP 2

- Assemble the HO2 T-harness and connect it to the factory radio harness.
- If the vehicle is equipped with a backup camera in the MID, see the vehicle wire reference chart for wiring information.

STEP 3

- Connect the Orange/Red wire at the Bluetooth module. See the vehicle wire reference chart for wire color and location.

STEP 4

- Plug the OBDII connector into the OBDII of the vehicle, under driver dash.

STEP 5

- Plug the aftermarket radio harnesses into the aftermarket radio.
- Plug the AUX cable to the aftermarket radio (if the vehicle is equipped with an OEM aux port).
- Plug the Data cable to the data port of the aftermarket radio.
- Insert the Audio cable into the iDatalink 3.5 mm audio jack of the aftermarket radio.

Note : When using a Pioneer or Alpine radio, the audio cable will plug into the AUX port.

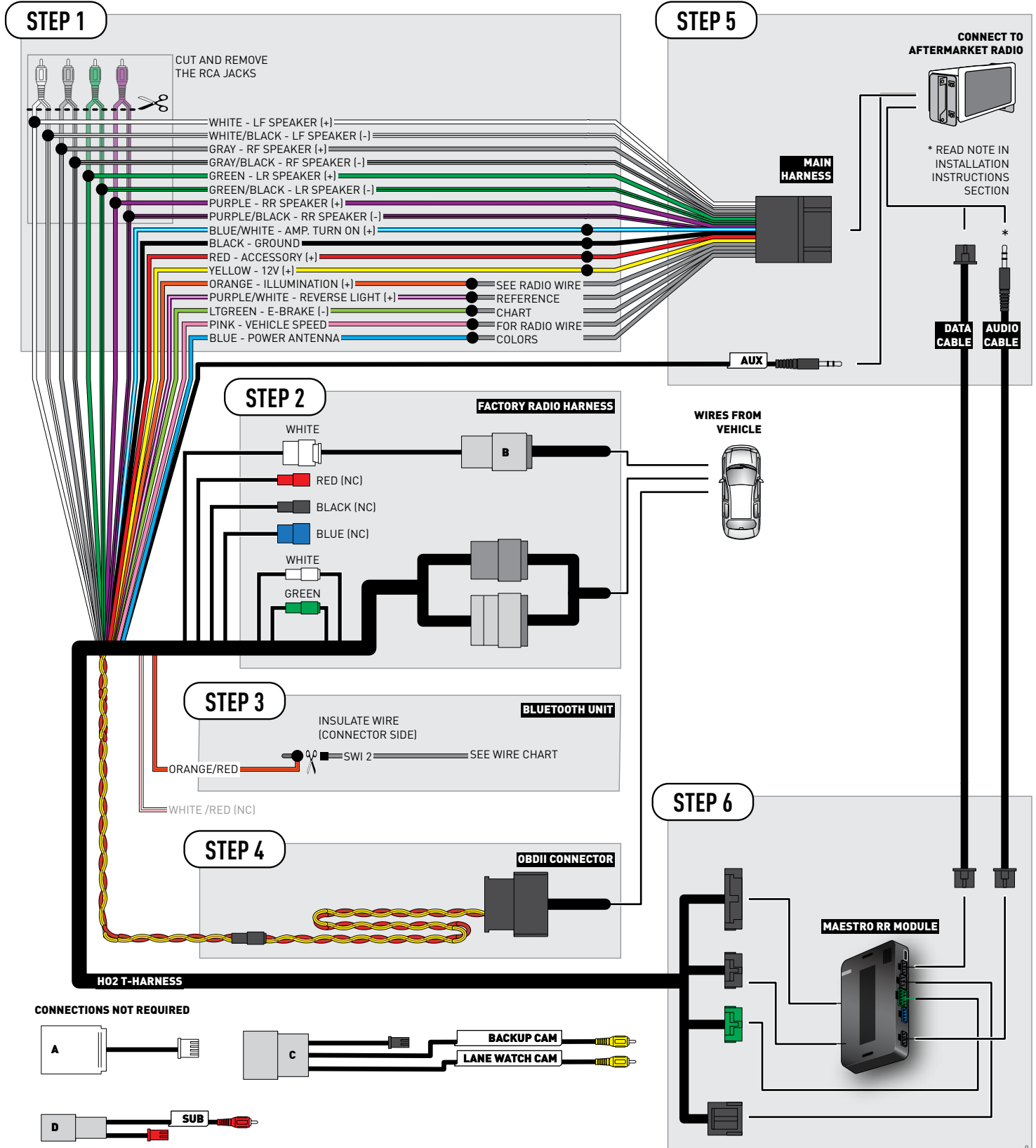
STEP 6

- Connect all the harnesses to the Maestro RR module then test your installation.

TROUBLESHOOTING TIPS:

- To reset the module back its factory settings, turn the key to the OFF position then disconnect all connectors from the module. Press and hold the module's programming button and connect all the connectors back to the module. Wait, the module's LED will flash RED rapidly (this may take up to 10 seconds). Release the programming button. Wait, the LED will turn solid GREEN for 2 seconds.
- For technical assistance call 1-866-427-2999 or e-mail "support@idatalink.com". Visit us at "maestro.idatalink.com/support" and "www.12voltdata.com/forum/"

WIRING DIAGRAM



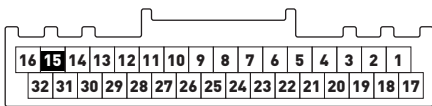
RADIO WIRE REFERENCE CHART

Wire Description	Polarity	Wire Color on Maestro T-Harness	Wire Color on Alpine cable	Wire Color on Kenwood cable	Wire Color on Pioneer cable	Wire Color on Sony cable
Illumination	(+)	Orange	N/A	Orange/White	Orange/White	Orange/White
Reverse Light	(+)	Purple/White	Orange/White	Purple/White	Purple/White	Purple/White
E-Brake	(-)	Lt Green	Yellow/Blue	Lt Green	Lt Green	Lt Green
VSS (vehicle speed sensor)	(DATA)	Pink	Green/White	N/A	Pink	N/A
Power Antenna	(+)	Blue	Blue	Blue	N/A	N/A

VEHICLE WIRE REFERENCE CHART

Wire Description	Connector Name	Connector Color	Connector Type	Position	Wire Color	Polarity	Wire Location
SWI 2	~	~	32 pin	15	Blue	(DATA)	Bluetooth unit, above glove box
Video +	~	~	~	19	Black	(+)	MID
Video -	~	~	~	03	Red	(-)	MID

Bluetooth connector





INSTALL GUIDE HONDA CIVIC WITHOUT AMP RETAINING OEM BLUETOOTH 2012-2013

RETAINS FACTORY AMPLIFIER, STEERING WHEEL CONTROLS, AND MORE!



PRODUCTS REQUIRED

iDatalink Maestro RR Radio Replacement Interface
iDatalink Maestro HO2 Installation Harness

PROGRAMMED FIRMWARE

ADS-RR(SR)-HON02-DS

OPTIONAL ACCESSORIES



Click here for:

[Radar Integration Installation Guide](#)

[Radar Integration Owner's Guide for Kenwood and JVC Radios](#)

WELCOME

Congratulations on the purchase of your iDatalink Maestro RR Radio replacement solution. You are now a few simple steps away from enjoying your new car radio with enhanced features.

Before starting your installation, please ensure that your iDatalink Maestro module is programmed with the correct firmware for your vehicle and that you carefully review the install guide.

Please note that Maestro RR will only retain functionalities that were originally available in the vehicle.

NEED HELP?

 **1 866 427-2999**

 support@idatalink.com


 maestro.idatalink.com/support
www.12voltdata.com/forum

TABLE OF CONTENTS

Installation Instructions	3
Wiring Diagram	4
Radio Wire Reference Chart	5
Vehicle Wire Reference Chart	6

INSTALLATION INSTRUCTIONS

STEP 1

- Unbox the aftermarket radio and locate its main harness.
- Cut the WHITE, GRAY, GREEN and PURPLE RCA tips.
- Connect the wires from aftermarket radio main harness to the HO2 T-harness and match the wire functions.
- Remove the factory radio.

STEP 2

- Assemble the HO2 T-harness and connect it to the factory radio harness.
- If the vehicle is equipped with a backup camera in the MID, see the vehicle wire reference chart for wiring information.

STEP 3

- Plug the OBDII connector into the OBDII of the vehicle, under driver dash.

STEP 4

- Plug the aftermarket radio harnesses into the aftermarket radio.
- Plug the AUX cable to the aftermarket radio (if the vehicle is equipped with an OEM aux port).
- Plug the Data cable to the data port of the aftermarket radio.
- Insert the Audio cable into the iDataLink 3.5 mm audio jack of the aftermarket radio.

Note : When using a Pioneer or Alpine radio, the audio cable will plug into the AUX port.

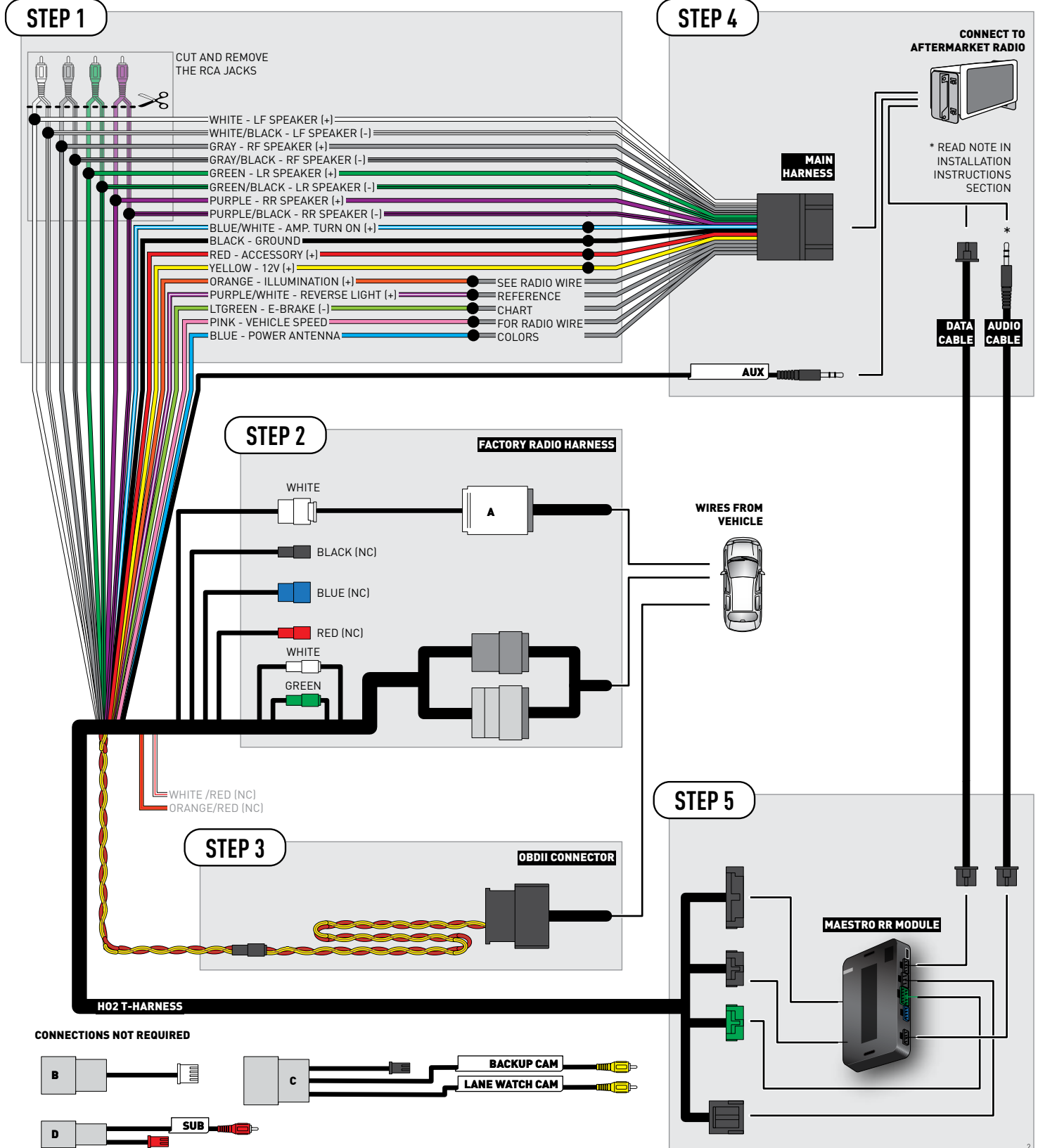
STEP 5

- Connect all the harnesses to the Maestro RR module then test your installation.

TROUBLESHOOTING TIPS:

- To reset the module back its factory settings, turn the key to the OFF position then disconnect all connectors from the module. Press and hold the module's programming button and connect all the connectors back to the module. Wait, the module's LED will flash RED rapidly (this may take up to 10 seconds). Release the programming button. Wait, the LED will turn solid GREEN for 2 seconds.
- For technical assistance call 1-866-427-2999 or e-mail "support@idatalink.com". Visit us at "maestro.idatalink.com/support" and "www.12voltdata.com/forum/"

WIRING DIAGRAM



RADIO WIRE REFERENCE CHART

Wire Description	Polarity	Wire Color on Maestro T-Harness	Wire Color on Alpine cable	Wire Color on Kenwood cable	Wire Color on Pioneer cable	Wire Color on Sony cable
Illumination	(+)	Orange	N/A	Orange/White	Orange/White	Orange/White
Reverse Light	(+)	Purple/White	Orange/White	Purple/White	Purple/White	Purple/White
E-Brake	(-)	Lt Green	Yellow/Blue	Lt Green	Lt Green	Lt Green
VSS (vehicle speed sensor)	(DATA)	Pink	Green/White	N/A	Pink	N/A
Power Antenna	(+)	Blue	Blue	Blue	N/A	N/A

VEHICLE WIRE REFERENCE CHART

Wire Description	Connector Name	Connector Color	Connector Type	Position	Wire Color	Polarity	Wire Location
Video +	~	~	~	19	Black	(+)	MID
Video -	~	~	~	03	White	(-)	MID



INSTALL GUIDE HONDA CIVIC WITHOUT AMP RETAINING OEM BLUETOOTH 2014-2015

RETAINS FACTORY AMPLIFIER, STEERING WHEEL CONTROLS, AND MORE!



PRODUCTS REQUIRED

iDataLink Maestro RR Radio Replacement Interface
iDataLink Maestro HO2 Installation Harness

PROGRAMMED FIRMWARE

ADS-RR(SR)-HON02-DS

OPTIONAL ACCESSORIES



Click here for:

[Radar Integration Installation Guide](#)

[Radar Integration Owner's Guide for Kenwood and JVC Radios](#)

WELCOME

Congratulations on the purchase of your iDatalink Maestro RR Radio replacement solution. You are now a few simple steps away from enjoying your new car radio with enhanced features.

Before starting your installation, please ensure that your iDatalink Maestro module is programmed with the correct firmware for your vehicle and that you carefully review the install guide.

Please note that Maestro RR will only retain functionalities that were originally available in the vehicle.

NEED HELP?

 **1 866 427-2999**

 support@idatalink.com

 maestro.idatalink.com/support
www.12voltdata.com/forum

TABLE OF CONTENTS

Installation Instructions	3
Wiring Diagram	4
Radio Wire Reference Chart	5
Vehicle Wire Reference Chart	6

INSTALLATION INSTRUCTIONS

STEP 1

- Unbox the aftermarket radio and locate its main harness.
- Cut the WHITE, GRAY, GREEN and PURPLE RCA tips.
- Connect the wires from aftermarket radio main harness to the HO2 T-harness and match the wire functions.
- Remove the factory radio.

STEP 2

- Assemble the HO2 T-harness and connect it to the factory radio harness.
- If the vehicle is equipped with a backup camera in the MID, see the vehicle wire reference chart for wiring information.

STEP 3

- Plug the OBDII connector into the OBDII of the vehicle, under driver dash.

STEP 4

- Plug the aftermarket radio harnesses into the aftermarket radio.
- Plug the AUX cable to the aftermarket radio (if the vehicle is equipped with an OEM aux port).
- Plug the Data cable to the data port of the aftermarket radio.
- Insert the Audio cable into the iDataLink 3.5 mm audio jack of the aftermarket radio.

Note : When using a Pioneer or Alpine radio, the audio cable will plug into the AUX port.

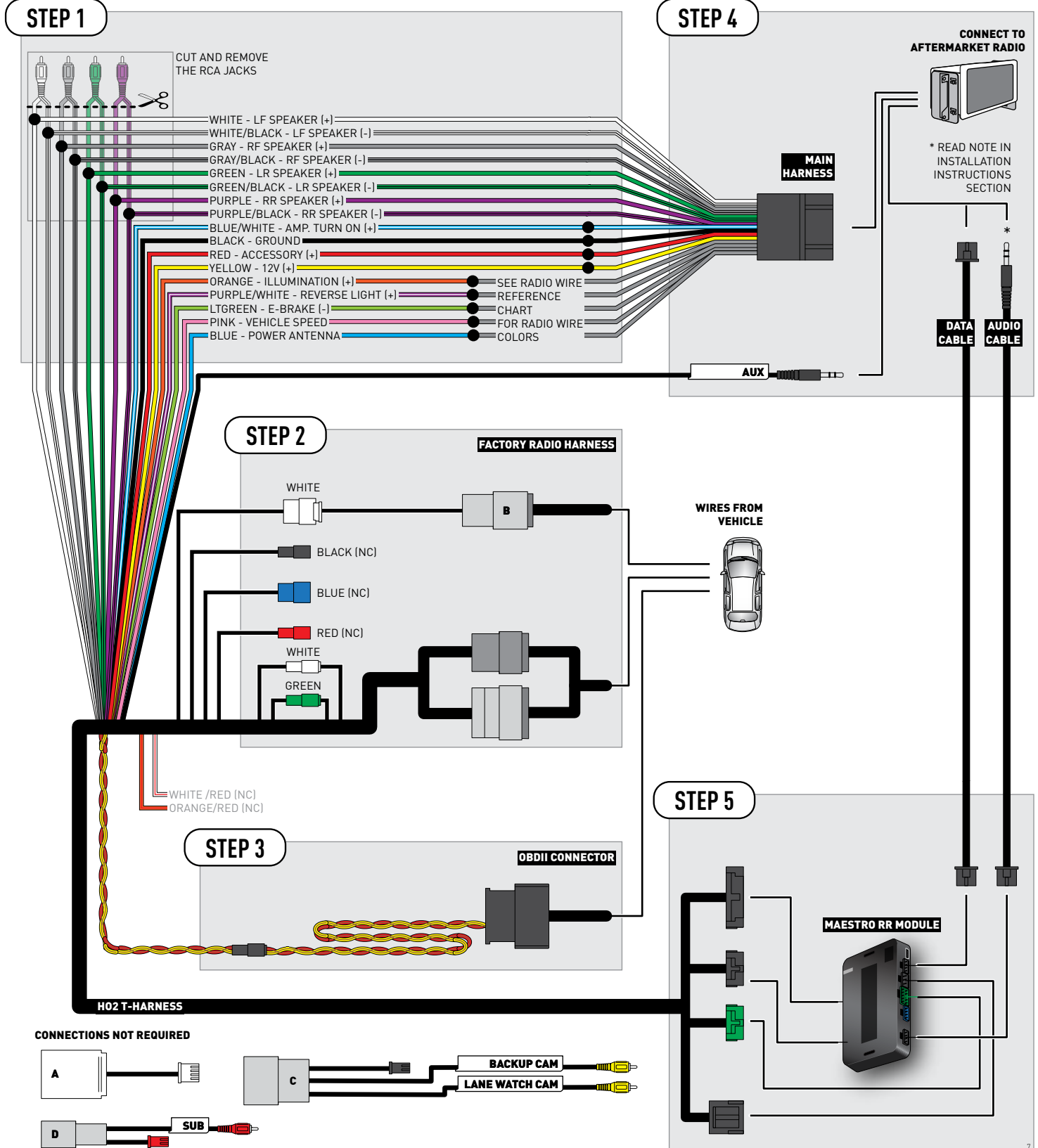
STEP 5

- Connect all the harnesses to the Maestro RR module then test your installation.

TROUBLESHOOTING TIPS:

- To reset the module back its factory settings, turn the key to the OFF position then disconnect all connectors from the module. Press and hold the module's programming button and connect all the connectors back to the module. Wait, the module's LED will flash RED rapidly (this may take up to 10 seconds). Release the programming button. Wait, the LED will turn solid GREEN for 2 seconds.
- For technical assistance call 1-866-427-2999 or e-mail "support@idatalink.com". Visit us at "maestro.idatalink.com/support" and "www.12voltdata.com/forum/"

WIRING DIAGRAM



RADIO WIRE REFERENCE CHART

Wire Description	Polarity	Wire Color on Maestro T-Harness	Wire Color on Alpine cable	Wire Color on Kenwood cable	Wire Color on Pioneer cable	Wire Color on Sony cable
Illumination	(+)	Orange	N/A	Orange/White	Orange/White	Orange/White
Reverse Light	(+)	Purple/White	Orange/White	Purple/White	Purple/White	Purple/White
E-Brake	(-)	Lt Green	Yellow/Blue	Lt Green	Lt Green	Lt Green
VSS (vehicle speed sensor)	(DATA)	Pink	Green/White	N/A	Pink	N/A
Power Antenna	(+)	Blue	Blue	Blue	N/A	N/A

VEHICLE WIRE REFERENCE CHART

Wire Description	Connector Name	Connector Color	Connector Type	Position	Wire Color	Polarity	Wire Location
Video +	~	~	~	19	Black	(+)	MID
Video -	~	~	~	03	Red	(-)	MID



INSTALL GUIDE

HONDA CR-V WITH 7" SCREEN

WITH AMP NOT RETAINING OEM BLUETOOTH

2012-2016

RETAINS FACTORY AMPLIFIER, STEERING WHEEL CONTROLS, AND MORE!



PRODUCTS REQUIRED

iDatalink Maestro RR Radio Replacement Interface
iDatalink Maestro HO2 Installation Harness

PROGRAMMED FIRMWARE

ADS-RR(SR)-HON02-DS

OPTIONAL ACCESSORIES



Click here for:

[Radar Integration Installation Guide](#)

[Radar Integration Owner's Guide for Kenwood and JVC Radios](#)


WELCOME

Congratulations on the purchase of your iDatalink Maestro RR Radio replacement solution. You are now a few simple steps away from enjoying your new car radio with enhanced features.

Before starting your installation, please ensure that your iDatalink Maestro module is programmed with the correct firmware for your vehicle and that you carefully review the install guide.

Please note that Maestro RR will only retain functionalities that were originally available in the vehicle.

NEED HELP?

 **1 866 427-2999**

 support@idatalink.com

 maestro.idatalink.com/support
www.12voltdata.com/forum

TABLE OF CONTENTS

Installation Instructions	3
Wiring Diagram	4
Radio Wire Reference Chart	5
Vehicle Wire Reference Chart	6

INSTALLATION INSTRUCTIONS

STEP 1

- Unbox the aftermarket radio and locate its main harness.
- Connect the wires from aftermarket radio main harness to the HO2 T-harness and match the wire functions.
- Remove the factory radio.

STEP 2

- Assemble the HO2 T-harness and connect it to the factory radio harness.

STEP 3

- Plug the OBDII connector into the OBDII of the vehicle, under driver dash.

STEP 4

- Plug the aftermarket radio harnesses into the aftermarket radio.
- Connect the speakers and sub RCA cables.
- Plug the AUX cable to the aftermarket radio (if the vehicle is equipped with an OEM aux port).
- Plug the cameras RCA cables (if equipped with backup camera or lane departure cameras).
- Plug the Data cable to the data port of the aftermarket radio.
- Insert the Audio cable into the iDataLink 3.5 mm audio jack of the aftermarket radio.

Note : When using a Pioneer or Alpine radio, the audio cable will plug into the AUX port.

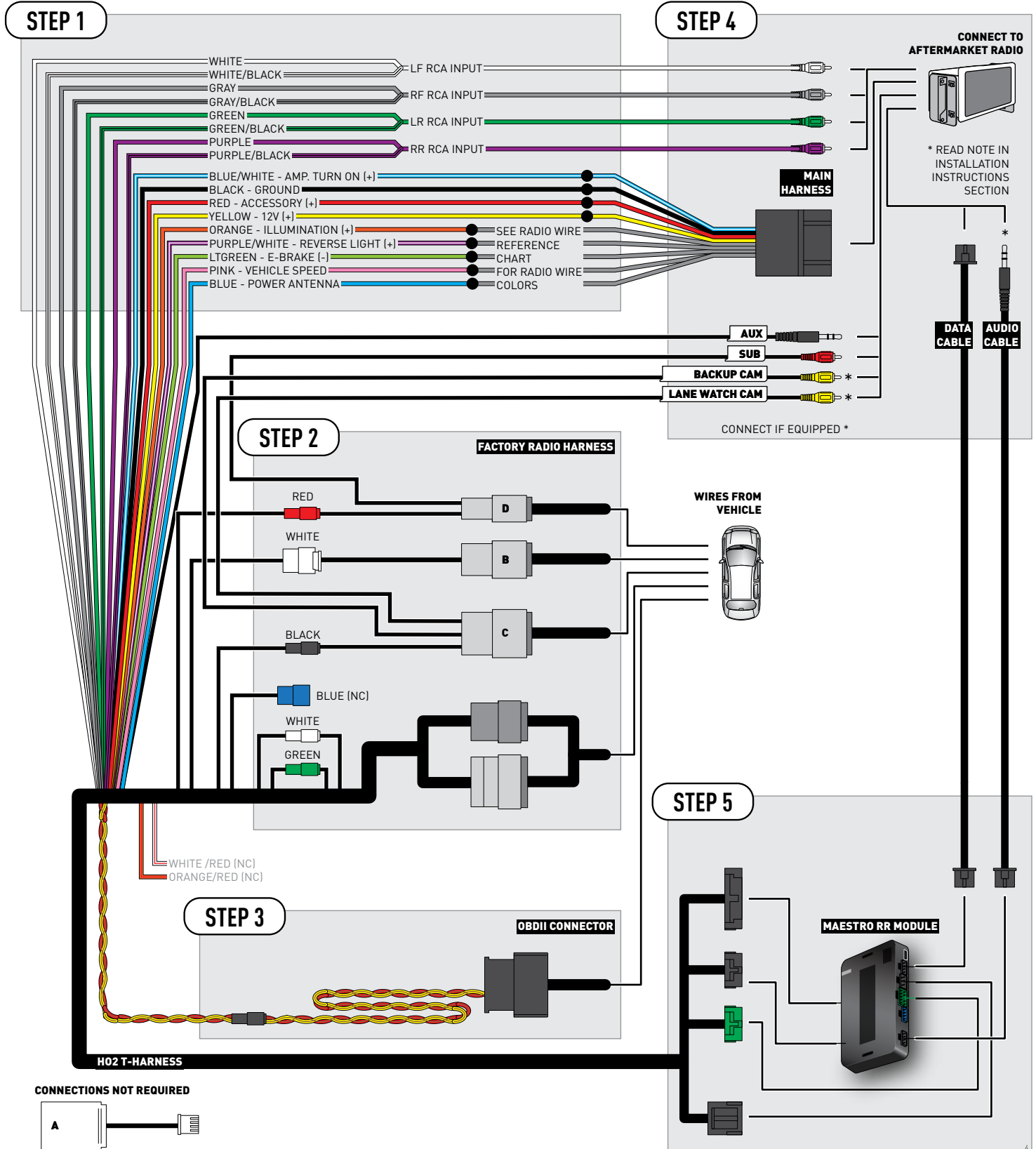
STEP 5

- Connect all the harnesses to the Maestro RR module then test your installation.

TROUBLESHOOTING TIPS:

- To reset the module back its factory settings, turn the key to the OFF position then disconnect all connectors from the module. Press and hold the module's programming button and connect all the connectors back to the module. Wait, the module's LED will flash RED rapidly (this may take up to 10 seconds). Release the programming button. Wait, the LED will turn solid GREEN for 2 seconds.
- For technical assistance call 1-866-427-2999 or e-mail "support@idatalink.com". Visit us at "maestro.idatalink.com/support" and "www.12voltdata.com/forum/"

WIRING DIAGRAM



RADIO WIRE REFERENCE CHART

Wire Description	Polarity	Wire Color on Maestro T-Harness	Wire Color on Alpine cable	Wire Color on Kenwood cable	Wire Color on Pioneer cable	Wire Color on Sony cable
Illumination	(+)	Orange	N/A	Orange/White	Orange/White	Orange/White
Reverse Light	(+)	Purple/White	Orange/White	Purple/White	Purple/White	Purple/White
E-Brake	(-)	Lt Green	Yellow/Blue	Lt Green	Lt Green	Lt Green
VSS (vehicle speed sensor)	(DATA)	Pink	Green/White	N/A	Pink	N/A
Power Antenna	(+)	Blue	Blue	Blue	N/A	N/A

VEHICLE WIRE REFERENCE CHART

Wire Description	Connector Name	Connector Color	Connector Type	Position	Wire Color	Polarity	Wire Location
Video +	n/a	n/a	n/a	n/a	n/a	n/a	n/a
Video -	n/a	n/a	n/a	n/a	n/a	n/a	n/a



INSTALL GUIDE

HONDA CR-V WITH 7" SCREEN

WITHOUT AMP NOT RETAINING OEM BLUETOOTH

2012-2016

RETAINS FACTORY AMPLIFIER, STEERING WHEEL CONTROLS, AND MORE!



PRODUCTS REQUIRED

iDatalink Maestro RR Radio Replacement Interface
iDatalink Maestro HO2 Installation Harness

PROGRAMMED FIRMWARE

ADS-RR(SR)-HON02-DS

OPTIONAL ACCESSORIES



Click here for:

[Radar Integration Installation Guide](#)

[Radar Integration Owner's Guide for Kenwood and JVC Radios](#)

WELCOME

Congratulations on the purchase of your iDatalink Maestro RR Radio replacement solution. You are now a few simple steps away from enjoying your new car radio with enhanced features.

Before starting your installation, please ensure that your iDatalink Maestro module is programmed with the correct firmware for your vehicle and that you carefully review the install guide.

Please note that Maestro RR will only retain functionalities that were originally available in the vehicle.

NEED HELP?

 **1 866 427-2999**

 support@idatalink.com

 maestro.idatalink.com/support
www.12voltdata.com/forum

TABLE OF CONTENTS

Installation Instructions	3
Wiring Diagram	4
Radio Wire Reference Chart	5
Vehicle Wire Reference Chart	6

INSTALLATION INSTRUCTIONS

STEP 1

- Unbox the aftermarket radio and locate its main harness.
- Cut the WHITE, GRAY, GREEN and PURPLE RCA tips.
- Connect the wires from aftermarket radio main harness to the HO2 T-harness and match the wire functions.
- Remove the factory radio.

STEP 2

- Assemble the HO2 T-harness and connect it to the factory radio harness.

STEP 3

- Plug the OBDII connector into the OBDII of the vehicle, under driver dash.

STEP 4

- Plug the aftermarket radio harnesses into the aftermarket radio.
- Plug the AUX cable to the aftermarket radio (if the vehicle is equipped with an OEM aux port).
- Plug the cameras RCA cables (if equipped with backup camera or lane departure cameras).
- Plug the Data cable to the data port of the aftermarket radio.
- Insert the Audio cable into the iDataLink 3.5 mm audio jack of the aftermarket radio.

Note : When using a Pioneer or Alpine radio, the audio cable will plug into the AUX port.

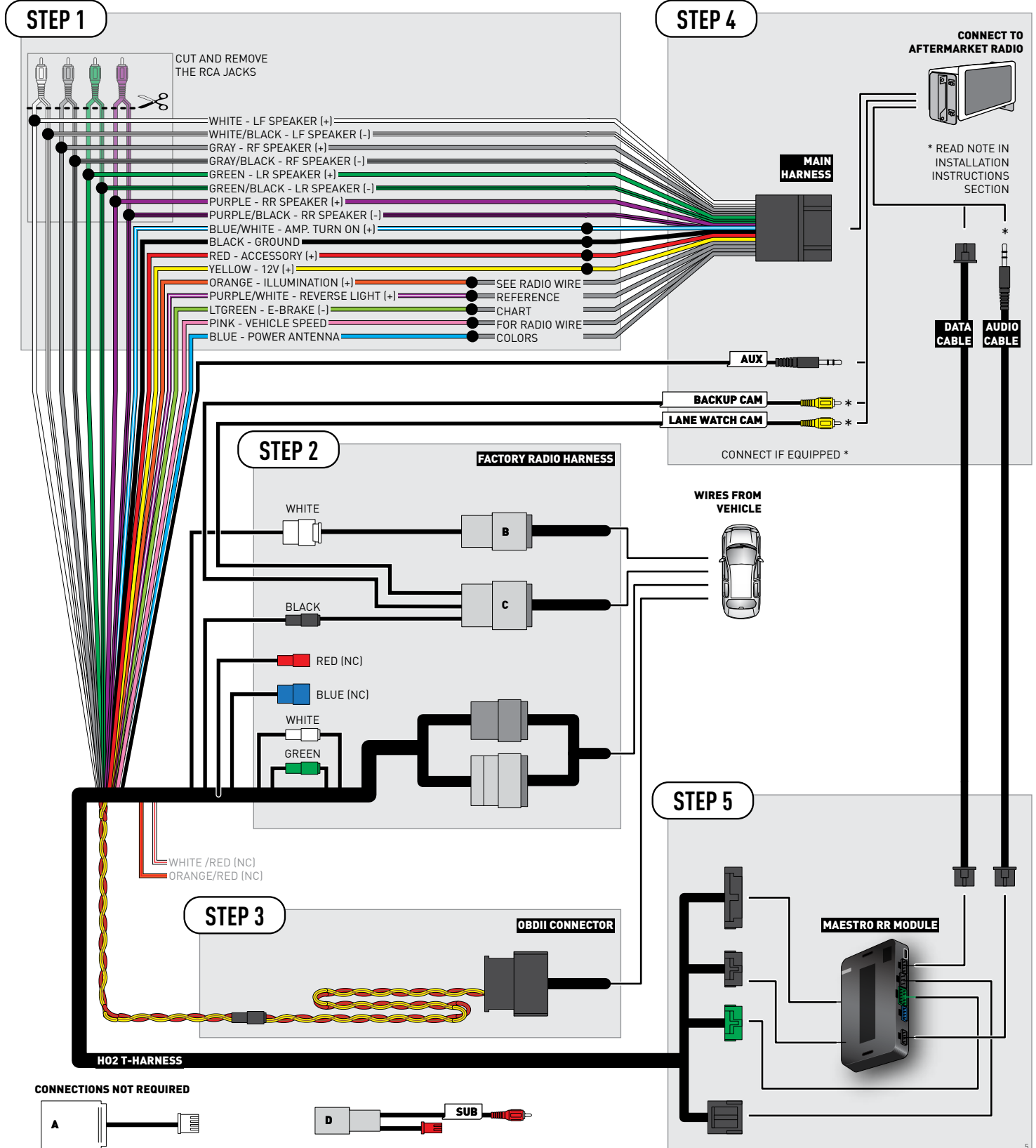
STEP 5

- Connect all the harnesses to the Maestro RR module then test your installation.

TROUBLESHOOTING TIPS:

- To reset the module back its factory settings, turn the key to the OFF position then disconnect all connectors from the module. Press and hold the module's programming button and connect all the connectors back to the module. Wait, the module's LED will flash RED rapidly (this may take up to 10 seconds). Release the programming button. Wait, the LED will turn solid GREEN for 2 seconds.
- For technical assistance call 1-866-427-2999 or e-mail "support@idatalink.com". Visit us at "maestro.idatalink.com/support" and "www.12voltdata.com/forum/"

WIRING DIAGRAM



RADIO WIRE REFERENCE CHART

Wire Description	Polarity	Wire Color on Maestro T-Harness	Wire Color on Alpine cable	Wire Color on Kenwood cable	Wire Color on Pioneer cable	Wire Color on Sony cable
Illumination	(+)	Orange	N/A	Orange/White	Orange/White	Orange/White
Reverse Light	(+)	Purple/White	Orange/White	Purple/White	Purple/White	Purple/White
E-Brake	(-)	Lt Green	Yellow/Blue	Lt Green	Lt Green	Lt Green
VSS (vehicle speed sensor)	(DATA)	Pink	Green/White	N/A	Pink	N/A
Power Antenna	(+)	Blue	Blue	Blue	N/A	N/A

VEHICLE WIRE REFERENCE CHART

Wire Description	Connector Name	Connector Color	Connector Type	Position	Wire Color	Polarity	Wire Location
Video +	n/a	n/a	n/a	n/a	n/a	n/a	n/a
Video -	n/a	n/a	n/a	n/a	n/a	n/a	n/a



INSTALL GUIDE HONDA CR-V WITH AMP NOT RETAINING OEM BLUETOOTH 2012-2016

RETAINS FACTORY AMPLIFIER, STEERING WHEEL CONTROLS, AND MORE!



PRODUCTS REQUIRED

iDatalink Maestro RR Radio Replacement Interface
iDatalink Maestro HO2 Installation Harness

PROGRAMMED FIRMWARE

ADS-RR(SR)-HON02-DS

OPTIONAL ACCESSORIES



Click here for:

[Radar Integration Installation Guide](#)

[Radar Integration Owner's Guide for Kenwood and JVC Radios](#)

WELCOME

Congratulations on the purchase of your iDatalink Maestro RR Radio replacement solution. You are now a few simple steps away from enjoying your new car radio with enhanced features.

Before starting your installation, please ensure that your iDatalink Maestro module is programmed with the correct firmware for your vehicle and that you carefully review the install guide.

Please note that Maestro RR will only retain functionalities that were originally available in the vehicle.


TABLE OF CONTENTS

Installation Instructions	3
Wiring Diagram	4
Radio Wire Reference Chart	5
Vehicle Wire Reference Chart	6

NEED HELP?

 **1 866 427-2999**

 support@idatalink.com

 maestro.idatalink.com/support
www.12voltdata.com/forum

INSTALLATION INSTRUCTIONS

STEP 1

- Unbox the aftermarket radio and locate its main harness.
- Connect the wires from aftermarket radio main harness to the HO2 T-harness and match the wire functions.
- Remove the factory radio.

STEP 2

- Assemble the HO2 T-harness and connect it to the factory radio harness.
- If the vehicle is equipped with a backup camera in the MID, see the vehicle wire reference chart for wiring information.

STEP 3

- Connect the Orange/Red wire at the Bluetooth module. See the vehicle wire reference chart for wire color and location.

STEP 4

- Plug the OBDII connector into the OBDII of the vehicle, under driver dash.

STEP 5

- Plug the aftermarket radio harnesses into the aftermarket radio.
- Connect the speakers and sub RCA cables.
- Plug the AUX cable to the aftermarket radio (if the vehicle is equipped with an OEM aux port).
- Plug the Data cable to the data port of the aftermarket radio.
- Insert the Audio cable into the iDataLink 3.5 mm audio jack of the aftermarket radio.

Note : When using a Pioneer or Alpine radio, the audio cable will plug into the AUX port.

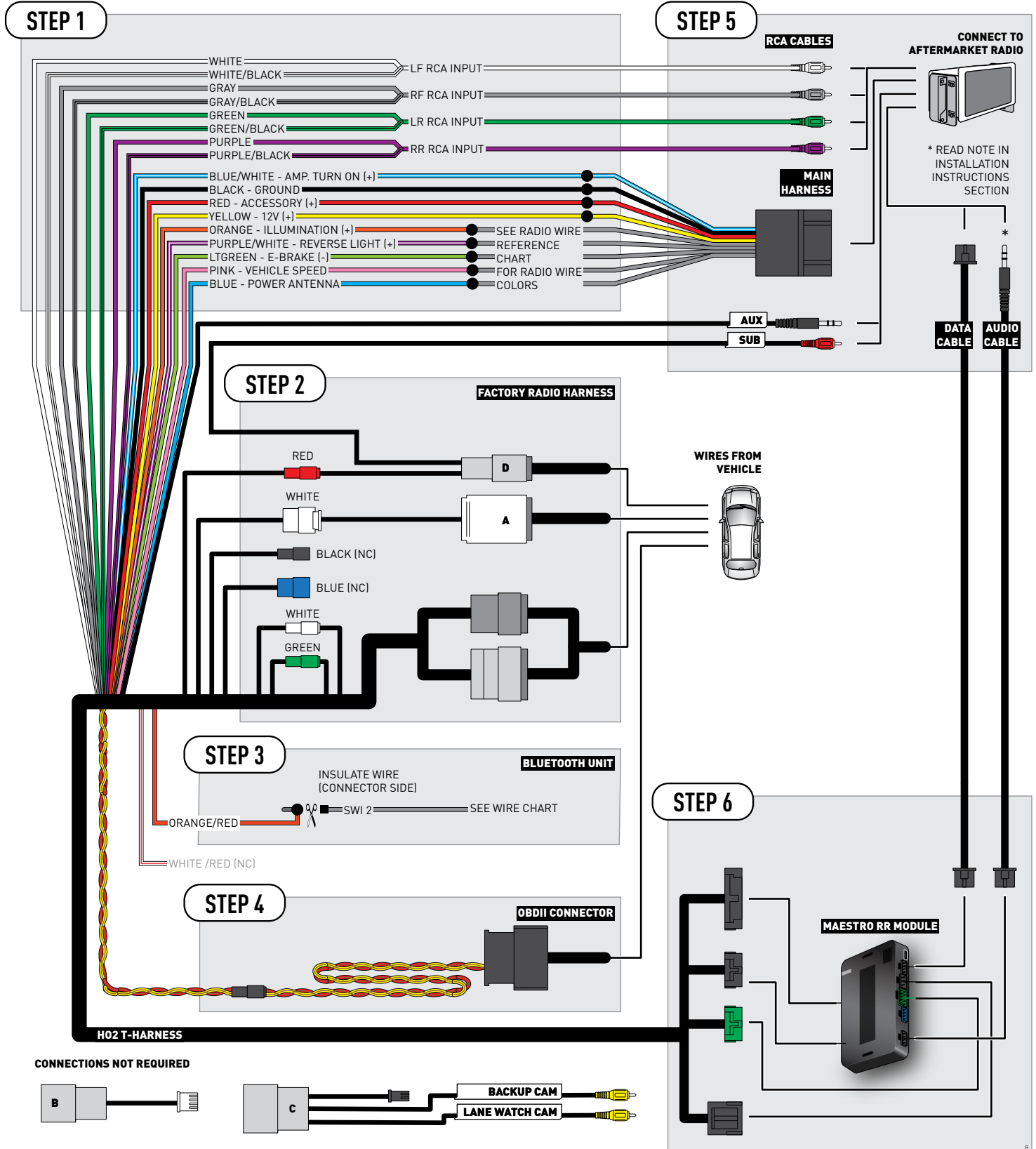
STEP 6

- Connect all the harnesses to the Maestro RR module then test your installation.

TROUBLESHOOTING TIPS:

- To reset the module back its factory settings, turn the key to the OFF position then disconnect all connectors from the module. Press and hold the module's programming button and connect all the connectors back to the module. Wait, the module's LED will flash RED rapidly (this may take up to 10 seconds). Release the programming button. Wait, the LED will turn solid GREEN for 2 seconds.
- For technical assistance call 1-866-427-2999 or e-mail "support@idatalink.com". Visit us at "maestro.idatalink.com/support" and "www.12voltdata.com/forum/"

WIRING DIAGRAM



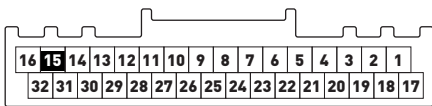
RADIO WIRE REFERENCE CHART

Wire Description	Polarity	Wire Color on Maestro T-Harness	Wire Color on Alpine cable	Wire Color on Kenwood cable	Wire Color on Pioneer cable	Wire Color on Sony cable
Illumination	(+)	Orange	N/A	Orange/White	Orange/White	Orange/White
Reverse Light	(+)	Purple/White	Orange/White	Purple/White	Purple/White	Purple/White
E-Brake	(-)	Lt Green	Yellow/Blue	Lt Green	Lt Green	Lt Green
VSS (vehicle speed sensor)	(DATA)	Pink	Green/White	N/A	Pink	N/A
Power Antenna	(+)	Blue	Blue	Blue	N/A	N/A

VEHICLE WIRE REFERENCE CHART

Wire Description	Connector Name	Connector Color	Connector Type	Position	Wire Color	Polarity	Wire Location
SWI 2	~	~	32 pin	15	Yellow	(DATA)	Bluetooth unit, center dash in front of shifter
Video +	~	~	~	19	Red	(+)	MID
Video -	~	~	~	03	White	(-)	MID

Bluetooth connector





INSTALL GUIDE HONDA CR-V WITH AMP RETAINING OEM BLUETOOTH 2012-2016

RETAINS FACTORY AMPLIFIER, STEERING WHEEL CONTROLS, AND MORE!



PRODUCTS REQUIRED

iDatalink Maestro RR Radio Replacement Interface
iDatalink Maestro HO2 Installation Harness

PROGRAMMED FIRMWARE

ADS-RR(SR)-HON02-DS

OPTIONAL ACCESSORIES



Click here for:

[Radar Integration Installation Guide](#)

[Radar Integration Owner's Guide for Kenwood and JVC Radios](#)

WELCOME

Congratulations on the purchase of your iDatalink Maestro RR Radio replacement solution. You are now a few simple steps away from enjoying your new car radio with enhanced features.

Before starting your installation, please ensure that your iDatalink Maestro module is programmed with the correct firmware for your vehicle and that you carefully review the install guide.

Please note that Maestro RR will only retain functionalities that were originally available in the vehicle.

NEED HELP?

 **1 866 427-2999**

 support@idatalink.com

 maestro.idatalink.com/support
www.12voltdata.com/forum

TABLE OF CONTENTS

Installation Instructions	3
Wiring Diagram	4
Radio Wire Reference Chart	5
Vehicle Wire Reference Chart	6

INSTALLATION INSTRUCTIONS

STEP 1

- Unbox the aftermarket radio and locate its main harness.
- Connect the wires from aftermarket radio main harness to the HO2 T-harness and match the wire functions.
- Remove the factory radio.

STEP 2

- Assemble the HO2 T-harness and connect it to the factory radio harness.
- If the vehicle is equipped with a backup camera in the MID, see the vehicle wire reference chart for wiring information.

STEP 3

- Plug the OBDII connector into the OBDII of the vehicle, under driver dash.

STEP 4

- Plug the aftermarket radio harnesses into the aftermarket radio.
- Connect the speakers and sub RCA cables.
- Plug the AUX cable to the aftermarket radio (if the vehicle is equipped with an OEM aux port).
- Plug the Data cable to the data port of the aftermarket radio.
- Insert the Audio cable into the iDatalink 3.5 mm audio jack of the aftermarket radio.

Note : When using a Pioneer or Alpine radio, the audio cable will plug into the AUX port.

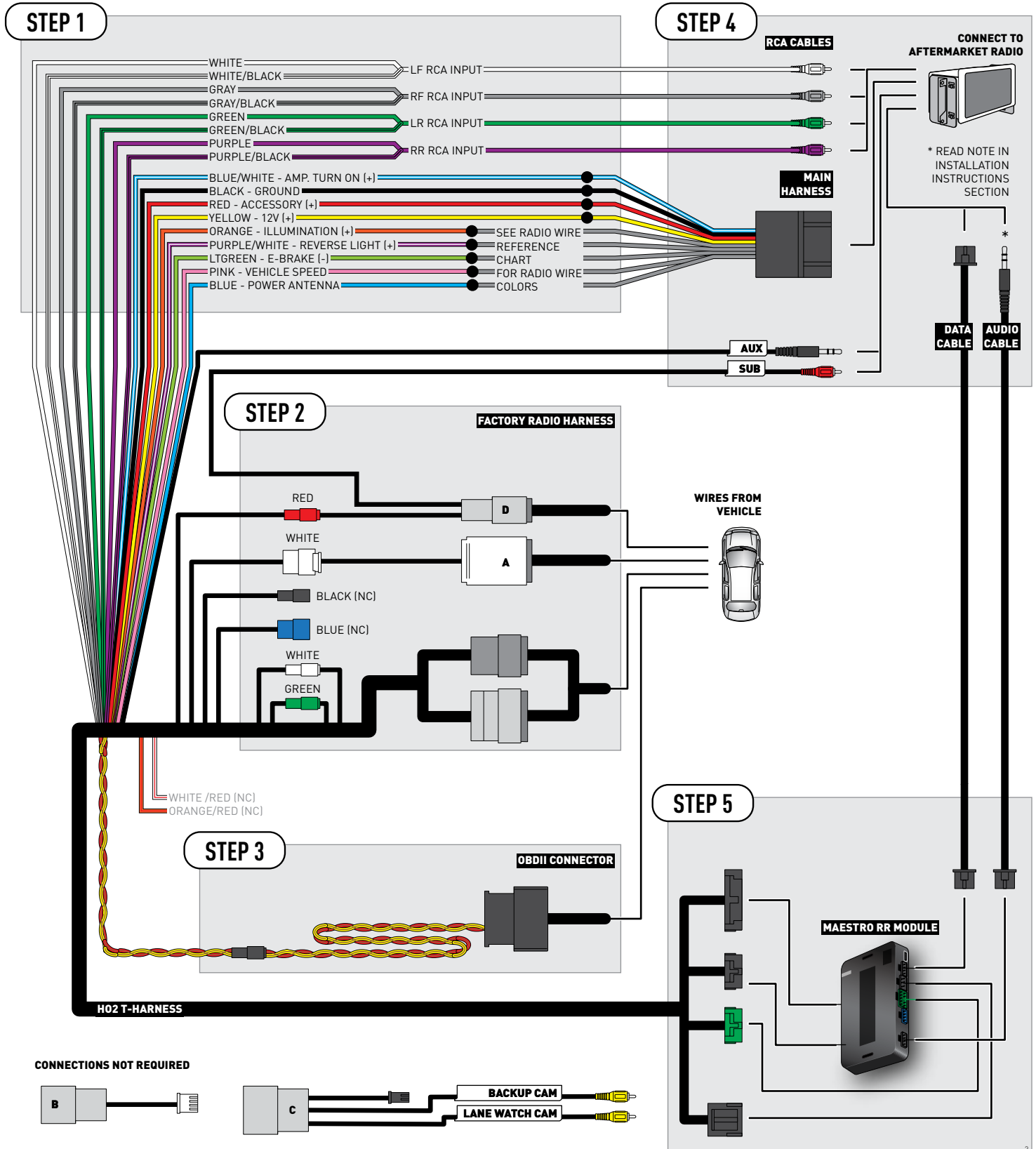
STEP 5

- Connect all the harnesses to the Maestro RR module then test your installation.

TROUBLESHOOTING TIPS:

- To reset the module back its factory settings, turn the key to the OFF position then disconnect all connectors from the module. Press and hold the module's programming button and connect all the connectors back to the module. Wait, the module's LED will flash RED rapidly (this may take up to 10 seconds). Release the programming button. Wait, the LED will turn solid GREEN for 2 seconds.
- For technical assistance call 1-866-427-2999 or e-mail "support@idatalink.com". Visit us at "maestro.idatalink.com/support" and "www.12voltdata.com/forum/"

WIRING DIAGRAM



RADIO WIRE REFERENCE CHART

Wire Description	Polarity	Wire Color on Maestro T-Harness	Wire Color on Alpine cable	Wire Color on Kenwood cable	Wire Color on Pioneer cable	Wire Color on Sony cable
Illumination	(+)	Orange	N/A	Orange/White	Orange/White	Orange/White
Reverse Light	(+)	Purple/White	Orange/White	Purple/White	Purple/White	Purple/White
E-Brake	(-)	Lt Green	Yellow/Blue	Lt Green	Lt Green	Lt Green
VSS (vehicle speed sensor)	(DATA)	Pink	Green/White	N/A	Pink	N/A
Power Antenna	(+)	Blue	Blue	Blue	N/A	N/A

VEHICLE WIRE REFERENCE CHART

Wire Description	Connector Name	Connector Color	Connector Type	Position	Wire Color	Polarity	Wire Location
Video +	~	~	~	19	Red	(+)	MID
Video -	~	~	~	03	White	(-)	MID



INSTALL GUIDE HONDA CR-V

WITHOUT AMP NOT RETAINING OEM BLUETOOTH 2012-2016

RETAINS FACTORY AMPLIFIER, STEERING WHEEL CONTROLS, AND MORE!



PRODUCTS REQUIRED

iDatalink Maestro RR Radio Replacement Interface
iDatalink Maestro HO2 Installation Harness

PROGRAMMED FIRMWARE

ADS-RR(SR)-HON02-DS

OPTIONAL ACCESSORIES



Click here for:

[Radar Integration Installation Guide](#)

[Radar Integration Owner's Guide for Kenwood and JVC Radios](#)

WELCOME

Congratulations on the purchase of your iDatalink Maestro RR Radio replacement solution. You are now a few simple steps away from enjoying your new car radio with enhanced features.

Before starting your installation, please ensure that your iDatalink Maestro module is programmed with the correct firmware for your vehicle and that you carefully review the install guide.

Please note that Maestro RR will only retain functionalities that were originally available in the vehicle.

NEED HELP?

 **1 866 427-2999**

 support@idatalink.com

 maestro.idatalink.com/support
www.12voltdata.com/forum

TABLE OF CONTENTS

Installation Instructions	3
Wiring Diagram	4
Radio Wire Reference Chart	5
Vehicle Wire Reference Chart	6

INSTALLATION INSTRUCTIONS

STEP 1

- Unbox the aftermarket radio and locate its main harness.
- Cut the WHITE, GRAY, GREEN and PURPLE RCA tips.
- Connect the wires from aftermarket radio main harness to the HO2 T-harness and match the wire functions.
- Remove the factory radio.

STEP 2

- Assemble the HO2 T-harness and connect it to the factory radio harness.
- If the vehicle is equipped with a backup camera in the MID, see the vehicle wire reference chart for wiring information.

STEP 3

- Connect the Orange/Red wire at the Bluetooth module. See the vehicle wire reference chart for wire color and location.

STEP 4

- Plug the OBDII connector into the OBDII of the vehicle, under driver dash.

STEP 5

- Plug the aftermarket radio harnesses into the aftermarket radio.
- Plug the AUX cable to the aftermarket radio (if the vehicle is equipped with an OEM aux port).
- Plug the Data cable to the data port of the aftermarket radio.
- Insert the Audio cable into the iDatalink 3.5 mm audio jack of the aftermarket radio.

Note : When using a Pioneer or Alpine radio, the audio cable will plug into the AUX port.

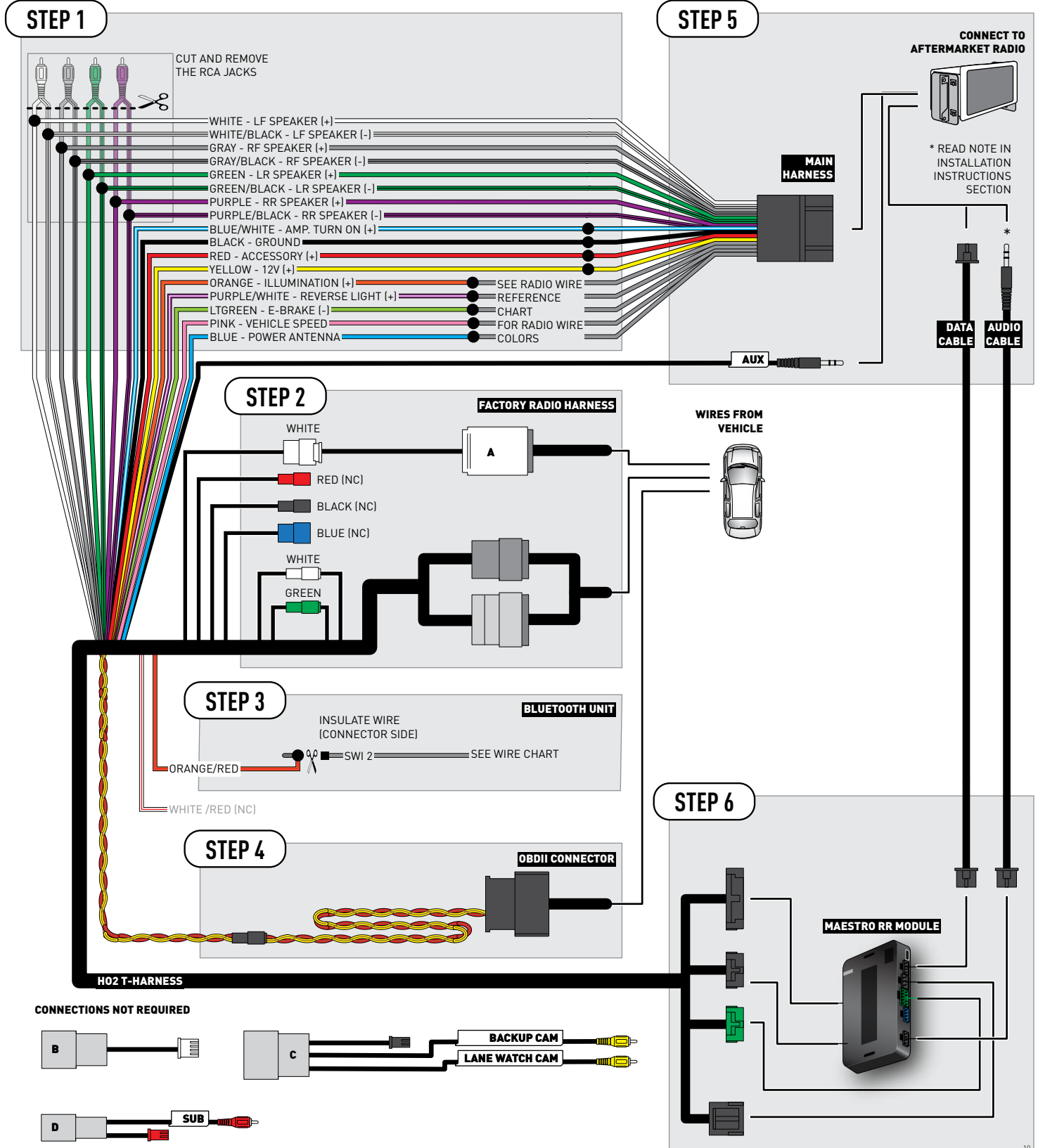
STEP 6

- Connect all the harnesses to the Maestro RR module then test your installation.

TROUBLESHOOTING TIPS:

- To reset the module back its factory settings, turn the key to the OFF position then disconnect all connectors from the module. Press and hold the module's programming button and connect all the connectors back to the module. Wait, the module's LED will flash RED rapidly (this may take up to 10 seconds). Release the programming button. Wait, the LED will turn solid GREEN for 2 seconds.
- For technical assistance call 1-866-427-2999 or e-mail "support@idatalink.com". Visit us at "maestro.idatalink.com/support" and "www.12voltdata.com/forum/"

WIRING DIAGRAM



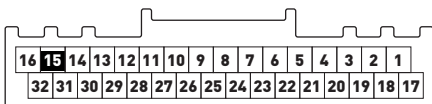
RADIO WIRE REFERENCE CHART

Wire Description	Polarity	Wire Color on Maestro T-Harness	Wire Color on Alpine cable	Wire Color on Kenwood cable	Wire Color on Pioneer cable	Wire Color on Sony cable
Illumination	(+)	Orange	N/A	Orange/White	Orange/White	Orange/White
Reverse Light	(+)	Purple/White	Orange/White	Purple/White	Purple/White	Purple/White
E-Brake	(-)	Lt Green	Yellow/Blue	Lt Green	Lt Green	Lt Green
VSS (vehicle speed sensor)	(DATA)	Pink	Green/White	N/A	Pink	N/A
Power Antenna	(+)	Blue	Blue	Blue	N/A	N/A

VEHICLE WIRE REFERENCE CHART

Wire Description	Connector Name	Connector Color	Connector Type	Position	Wire Color	Polarity	Wire Location
SWI 2	~	~	32 pin	15	Yellow	(DATA)	Bluetooth unit, above glove box
Video +	~	~	~	19	Red	(+)	MID
Video -	~	~	~	03	White	(-)	MID

Bluetooth connector





INSTALL GUIDE HONDA CR-V WITHOUT AMP RETAINING OEM BLUETOOTH 2012-2016

RETAINS FACTORY AMPLIFIER, STEERING WHEEL CONTROLS, AND MORE!



PRODUCTS REQUIRED

iDatalink Maestro RR Radio Replacement Interface
iDatalink Maestro HO2 Installation Harness

PROGRAMMED FIRMWARE

ADS-RR(SR)-HON02-DS

OPTIONAL ACCESSORIES



Click here for:

[Radar Integration Installation Guide](#)

[Radar Integration Owner's Guide for Kenwood and JVC Radios](#)


WELCOME

Congratulations on the purchase of your iDatalink Maestro RR Radio replacement solution. You are now a few simple steps away from enjoying your new car radio with enhanced features.

Before starting your installation, please ensure that your iDatalink Maestro module is programmed with the correct firmware for your vehicle and that you carefully review the install guide.

Please note that Maestro RR will only retain functionalities that were originally available in the vehicle.

NEED HELP?

 **1 866 427-2999**

 support@idatalink.com

 maestro.idatalink.com/support
www.12voltdata.com/forum

TABLE OF CONTENTS

Installation Instructions	3
Wiring Diagram	4
Radio Wire Reference Chart	5
Vehicle Wire Reference Chart	6

INSTALLATION INSTRUCTIONS

STEP 1

- Unbox the aftermarket radio and locate its main harness.
- Cut the WHITE, GRAY, GREEN and PURPLE RCA tips.
- Connect the wires from aftermarket radio main harness to the HO2 T-harness and match the wire functions.
- Remove the factory radio.

STEP 2

- Assemble the HO2 T-harness and connect it to the factory radio harness.
- If the vehicle is equipped with a backup camera in the MID, see the vehicle wire reference chart for wiring information.

STEP 3

- Plug the OBDII connector into the OBDII of the vehicle, under driver dash.

STEP 4

- Plug the aftermarket radio harnesses into the aftermarket radio.
- Plug the AUX cable to the aftermarket radio (if the vehicle is equipped with an OEM aux port).
- Plug the Data cable to the data port of the aftermarket radio.
- Insert the Audio cable into the iDatalink 3.5 mm audio jack of the aftermarket radio.

Note : When using a Pioneer or Alpine radio, the audio cable will plug into the AUX port.

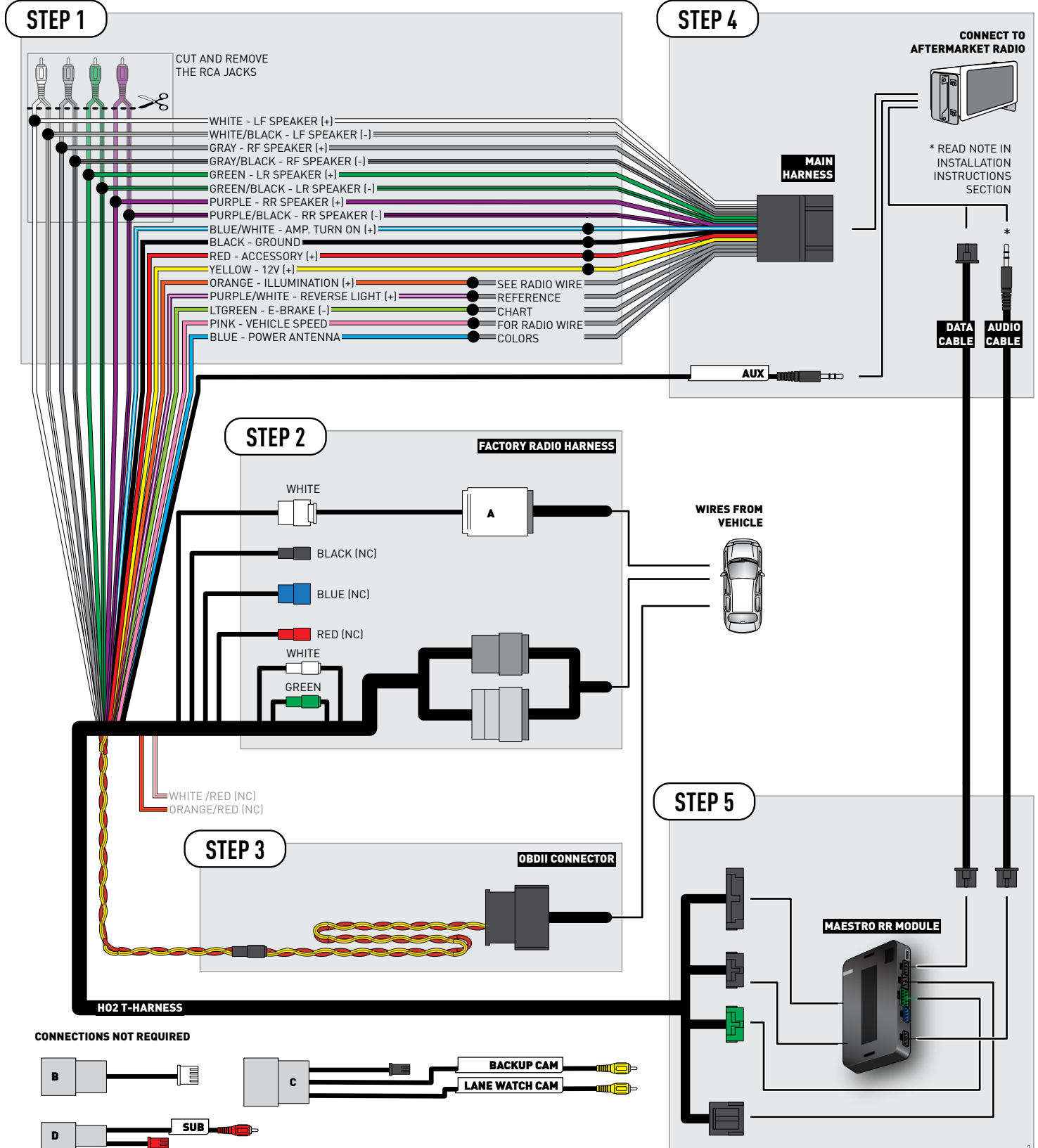
STEP 5

- Connect all the harnesses to the Maestro RR module then test your installation.

TROUBLESHOOTING TIPS:

- To reset the module back its factory settings, turn the key to the OFF position then disconnect all connectors from the module. Press and hold the module's programming button and connect all the connectors back to the module. Wait, the module's LED will flash RED rapidly (this may take up to 10 seconds). Release the programming button. Wait, the LED will turn solid GREEN for 2 seconds.
- For technical assistance call 1-866-427-2999 or e-mail "support@idatalink.com". Visit us at "maestro.idatalink.com/support" and "www.12voltdata.com/forum/"

WIRING DIAGRAM



RADIO WIRE REFERENCE CHART

Wire Description	Polarity	Wire Color on Maestro T-Harness	Wire Color on Alpine cable	Wire Color on Kenwood cable	Wire Color on Pioneer cable	Wire Color on Sony cable
Illumination	(+)	Orange	N/A	Orange/White	Orange/White	Orange/White
Reverse Light	(+)	Purple/White	Orange/White	Purple/White	Purple/White	Purple/White
E-Brake	(-)	Lt Green	Yellow/Blue	Lt Green	Lt Green	Lt Green
VSS (vehicle speed sensor)	(DATA)	Pink	Green/White	N/A	Pink	N/A
Power Antenna	(+)	Blue	Blue	Blue	N/A	N/A

VEHICLE WIRE REFERENCE CHART

Wire Description	Connector Name	Connector Color	Connector Type	Position	Wire Color	Polarity	Wire Location
Video +	~	~	~	19	Red	(+)	MID
Video -	~	~	~	03	White	(-)	MID



INSTALL GUIDE

HONDA FIT WITH 7" SCREEN

2015-2017

RETAINS FACTORY AMPLIFIER, STEERING WHEEL CONTROLS, AND MORE!



PRODUCTS REQUIRED

iDataLink Maestro RR Radio Replacement Interface
iDataLink Maestro HO2 Installation Harness

PROGRAMMED FIRMWARE

ADS-RR(SR)-HON02-DS

OPTIONAL ACCESSORIES



Click here for:

[Radar Integration Installation Guide](#)

[Radar Integration Owner's Guide for Kenwood and JVC Radios](#)

WELCOME

Congratulations on the purchase of your iDatalink Maestro RR Radio replacement solution. You are now a few simple steps away from enjoying your new car radio with enhanced features.

Before starting your installation, please ensure that your iDatalink Maestro module is programmed with the correct firmware for your vehicle and that you carefully review the install guide.

Please note that Maestro RR will only retain functionalities that were originally available in the vehicle.

NEED HELP?

 **1 866 427-2999**

 support@idatalink.com

 maestro.idatalink.com/support
www.12voltdata.com/forum

TABLE OF CONTENTS

Installation Instructions	3
Wiring Diagram	4
Radio Wire Reference Chart	5
Vehicle Wire Reference Chart	6

INSTALLATION INSTRUCTIONS

Note: The OEM Bluetooth cannot be retained in this vehicle, as it is built into the factory radio.

STEP 1

- Unbox the aftermarket radio and locate its main harness.
- Cut the WHITE, GRAY, GREEN and PURPLE RCA tips.
- Connect the wires from aftermarket radio main harness to the HO2 T-harness and match the wire functions.
- Remove the factory radio.

STEP 2

- Assemble the HO2 T-harness and connect it to the factory radio harness.
- If the vehicle is equipped with a backup camera or lane departure cameras that showed on the factory radio (NOT the MID), plug in connector C.

STEP 3

- Connect the White/Red wire to the Orange/Red wire.

STEP 4

- Plug the OBDII connector into the OBDII of the vehicle, under driver dash.

STEP 5

- Plug the aftermarket radio harnesses into the aftermarket radio.
- Plug the cameras RCA cables (if equipped with backup camera or lane departure cameras).
- Plug the AUX cable to the aftermarket radio (if the vehicle is equipped with an OEM aux port).
- Plug the Data cable to the data port of the aftermarket radio.

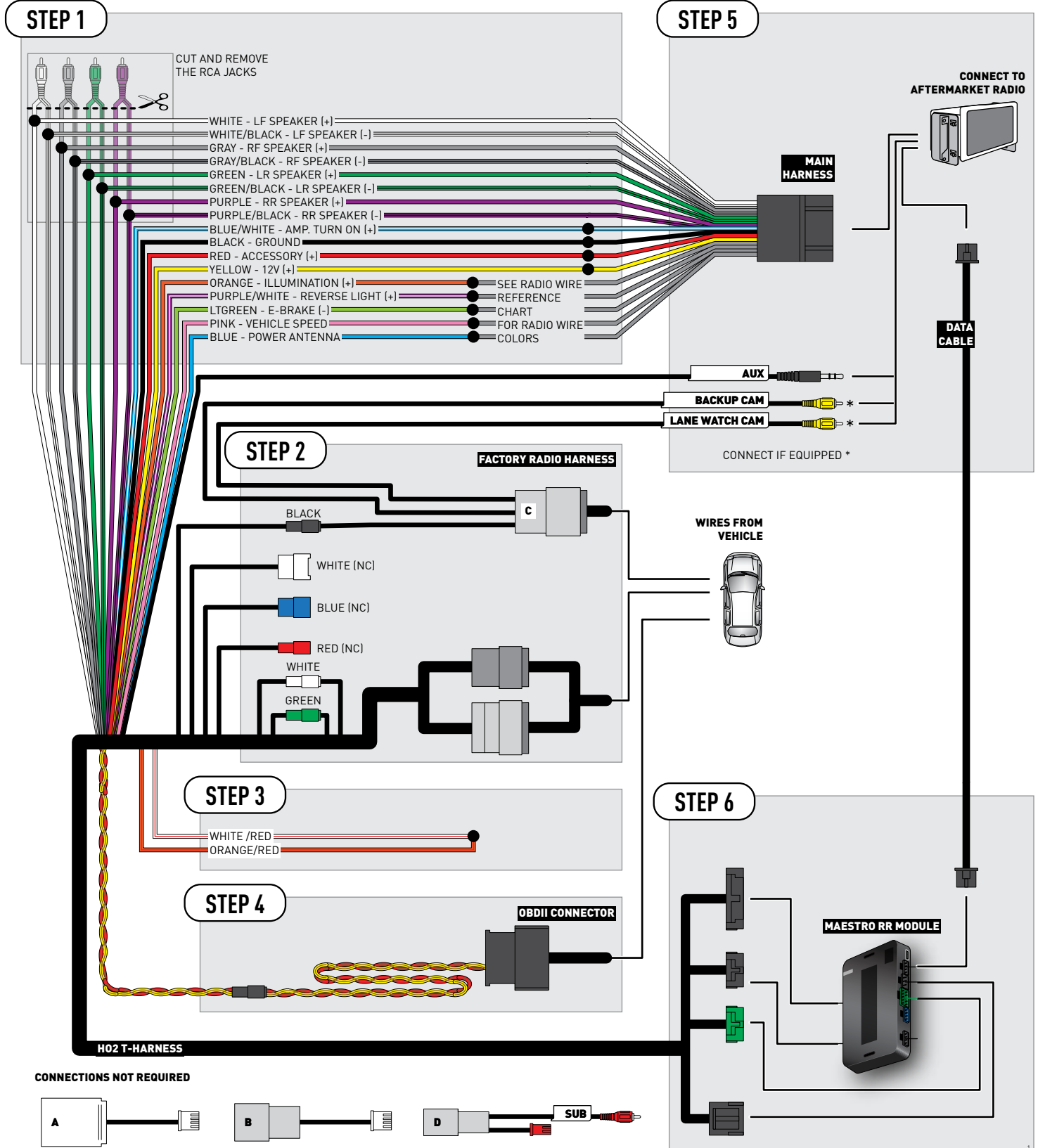
STEP 6

- Connect all the harnesses to the Maestro RR module then test your installation.

TROUBLESHOOTING TIPS:

- To reset the module back its factory settings, turn the key to the OFF position then disconnect all connectors from the module. Press and hold the module's programming button and connect all the connectors back to the module. Wait, the module's LED will flash RED rapidly (this may take up to 10 seconds). Release the programming button. Wait, the LED will turn solid GREEN for 2 seconds.
- For technical assistance call 1-866-427-2999 or e-mail "support@idatalink.com". Visit us at "maestro.idatalink.com/support" and "www.12voltdata.com/forum/"

WIRING DIAGRAM



RADIO WIRE REFERENCE CHART

Wire Description	Polarity	Wire Color on Maestro T-Harness	Wire Color on Alpine cable	Wire Color on Kenwood cable	Wire Color on Pioneer cable	Wire Color on Sony cable
Illumination	(+)	Orange	N/A	Orange/White	Orange/White	Orange/White
Reverse Light	(+)	Purple/White	Orange/White	Purple/White	Purple/White	Purple/White
E-Brake	(-)	Lt Green	Yellow/Blue	Lt Green	Lt Green	Lt Green
VSS (vehicle speed sensor)	(DATA)	Pink	Green/White	N/A	Pink	N/A
Power Antenna	(+)	Blue	Blue	Blue	N/A	N/A

VEHICLE WIRE REFERENCE CHART

Wire Description	Connector Name	Connector Color	Connector Type	Position	Wire Color	Polarity	Wire Location
Video +	n/a	n/a	n/a	n/a	n/a	n/a	n/a
Video -	n/a	n/a	n/a	n/a	n/a	n/a	n/a



INSTALL GUIDE

HONDA HR-V WITH 7" SCREEN

2016-2017

RETAINS FACTORY AMPLIFIER, STEERING WHEEL CONTROLS, AND MORE!



PRODUCTS REQUIRED

iDatalink Maestro RR Radio Replacement Interface
iDatalink Maestro HO2 Installation Harness

PROGRAMMED FIRMWARE

ADS-RR(SR)-HON02-DS

OPTIONAL ACCESSORIES



Click here for:

[Radar Integration Installation Guide](#)

[Radar Integration Owner's Guide for Kenwood and JVC Radios](#)

WELCOME

Congratulations on the purchase of your iDatalink Maestro RR Radio replacement solution. You are now a few simple steps away from enjoying your new car radio with enhanced features.

Before starting your installation, please ensure that your iDatalink Maestro module is programmed with the correct firmware for your vehicle and that you carefully review the install guide.

Please note that Maestro RR will only retain functionalities that were originally available in the vehicle.

NEED HELP?

 **1 866 427-2999**

 support@idatalink.com


 maestro.idatalink.com/support
www.12voltdata.com/forum

TABLE OF CONTENTS

Installation Instructions	3
Wiring Diagram	4
Radio Wire Reference Chart	5
Vehicle Wire Reference Chart	6

INSTALLATION INSTRUCTIONS

Note: The OEM Bluetooth cannot be retained in this vehicle, as it is built into the factory radio.

STEP 1

- Unbox the aftermarket radio and locate its main harness.
- Cut the WHITE, GRAY, GREEN and PURPLE RCA tips.
- Connect the wires from aftermarket radio main harness to the HO2 T-harness and match the wire functions.
- Remove the factory radio.

STEP 2

- Assemble the HO2 T-harness and connect it to the factory radio harness.
- If the vehicle is equipped with a backup camera or lane departure cameras that showed on the factory radio (NOT the MID), plug in connector C.

STEP 3

- Connect the White/Red wire to the Orange/Red wire.

STEP 4

- Plug the OBDII connector into the OBDII of the vehicle, under driver dash.

STEP 5

- Plug the aftermarket radio harnesses into the aftermarket radio.
- Plug the cameras RCA cables (if equipped with backup camera or lane departure cameras).
- Plug the AUX cable to the aftermarket radio (if the vehicle is equipped with an OEM aux port).
- Plug the Data cable to the data port of the aftermarket radio.

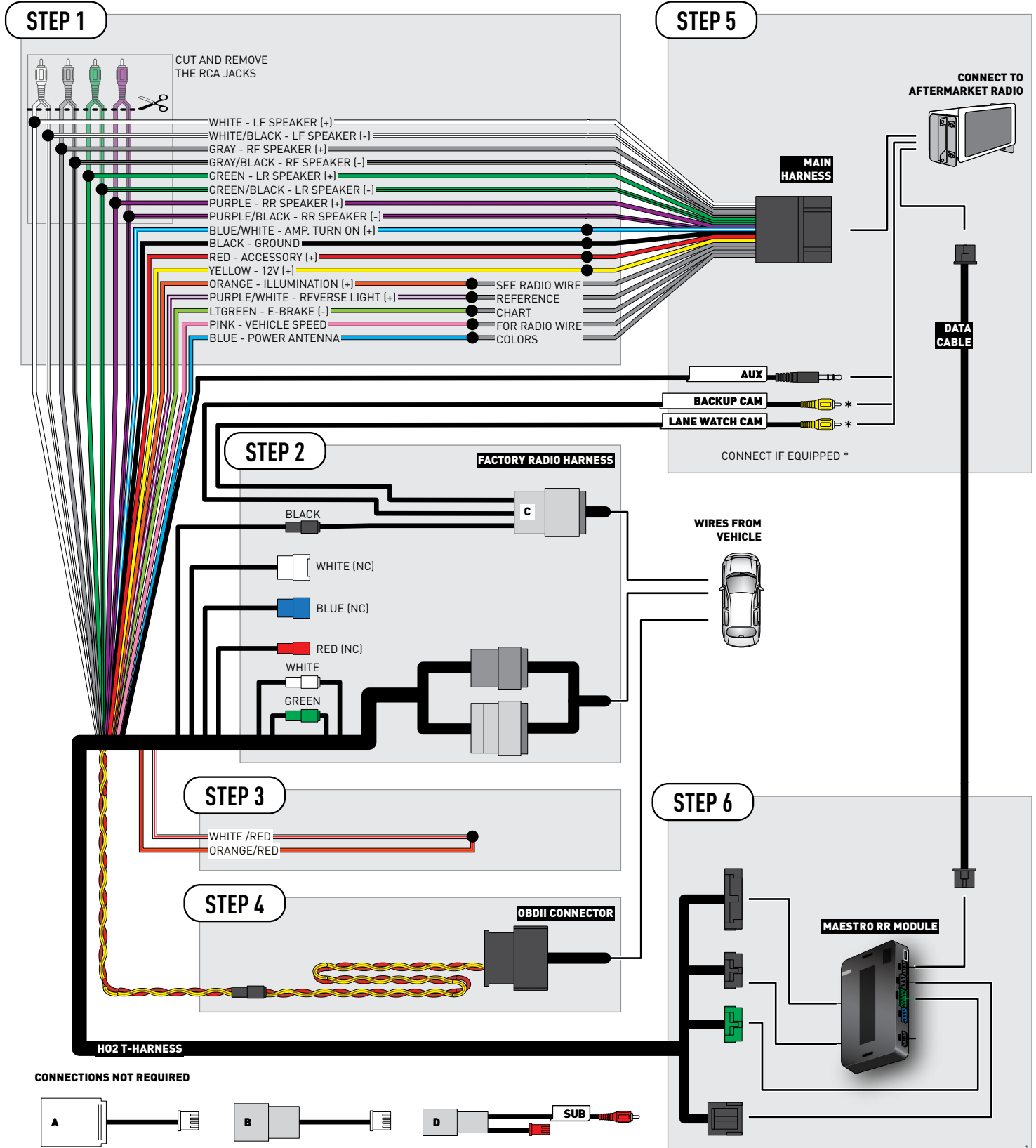
STEP 6

- Connect all the harnesses to the Maestro RR module then test your installation.

TROUBLESHOOTING TIPS:

- To reset the module back its factory settings, turn the key to the OFF position then disconnect all connectors from the module. Press and hold the module's programming button and connect all the connectors back to the module. Wait, the module's LED will flash RED rapidly (this may take up to 10 seconds). Release the programming button. Wait, the LED will turn solid GREEN for 2 seconds.
- For technical assistance call 1-866-427-2999 or e-mail "support@idatalink.com". Visit us at "maestro.idatalink.com/support" and "www.12voltdata.com/forum/"

WIRING DIAGRAM



RADIO WIRE REFERENCE CHART

Wire Description	Polarity	Wire Color on Maestro T-Harness	Wire Color on Alpine cable	Wire Color on Kenwood cable	Wire Color on Pioneer cable	Wire Color on Sony cable
Illumination	(+)	Orange	N/A	Orange/White	Orange/White	Orange/White
Reverse Light	(+)	Purple/White	Orange/White	Purple/White	Purple/White	Purple/White
E-Brake	(-)	Lt Green	Yellow/Blue	Lt Green	Lt Green	Lt Green
VSS (vehicle speed sensor)	(DATA)	Pink	Green/White	N/A	Pink	N/A
Power Antenna	(+)	Blue	Blue	Blue	N/A	N/A

VEHICLE WIRE REFERENCE CHART

Wire Description	Connector Name	Connector Color	Connector Type	Position	Wire Color	Polarity	Wire Location
Video +	n/a	n/a	n/a	n/a	n/a	n/a	n/a
Video -	n/a	n/a	n/a	n/a	n/a	n/a	n/a